

Bespoke Shelves,
Hangers & Masking Fascias
for Terma Radiators

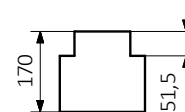
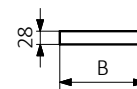
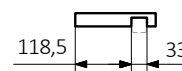
EASY Shelf

Available material:



Dedicated to the radiator: Easy

Size [mm] (the width of the radiator)	B [mm]	Material	Product code Code and Configuration
200	180	Beech	WRPEAS020 KBUK
200	180	Oak	WRPEAS020 KDAB
200	180	Teak	WRPEAS020 KTEK



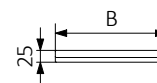
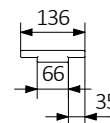
STAND Shelf

Available material:



Dedicated to the radiator: Stand

Size [mm] (the width of the radiator)	B [mm]	Material	Product code Code and Configuration
300	236	BEECH	WRPSCA030 KBUK
300	236	OAK	WRPSCA030 KDAB
300	236	TEAK	WRPSCA030 KTEK
400	336	BEECH	WRPSCA040 KBUK
400	336	OAK	WRPSCA040 KDAB
400	336	TEAK	WRPSCA040 KTEK
500	436	BEECH	WRPSCA050 KBUK
500	436	OAK	WRPSCA050 KDAB
500	436	TEAK	WRPSCA050 KTEK

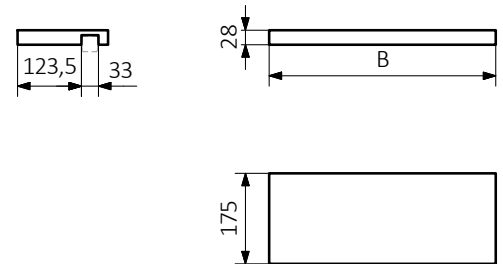


SIMPLE shelf





Available material:  Beech  Oak  Teak

Dedicated to the radiator: Simple.

Size [mm] (the width of the radiator)	B [mm]	Material	Product code Code and Configuration
500	440	Beech	WRPSIM050 KBUK
500	440	Oak	WRPSIM050 KDAB
500	440	Teak	WRPSIM050 KTEK

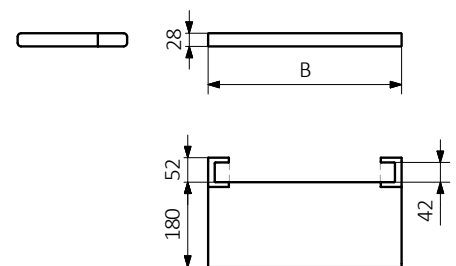


TRIGA shelf

Available material:  Beech  Oak  Teak Mounting Brackets: 

Dedicated to the radiator: Triga.

Size [mm] (the width of the radiator)	B [mm]	Material	Product code Code and Configuration
380	410	Beech	WRPTRG038 KBUK
380	410	Oak	WRPTRG038 KDAB
380	410	Teak	WRPTRG038 KTEK
480	510	Beech	WRPTRG048 KBUK
480	510	Oak	WRPTRG048 KDAB
480	510	Teak	WRPTRG048 KTEK
580	610	Beech	WRPTRG058 KBUK
580	610	Oak	WRPTRG058 KDAB
580	610	Teak	WRPTRG058 KTEK
680	710	Beech	WRPTRG068 KBUK
680	710	Oak	WRPTRG068 KDAB
680	710	Teak	WRPTRG068 KTEK

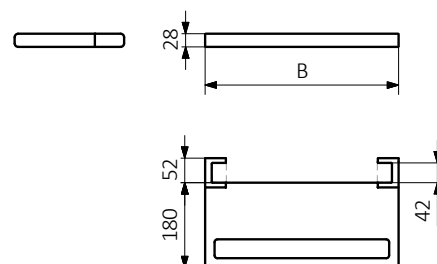


TRIGA shelf with towel rail

Available material:    Mounting Brackets: 

Dedicated to the radiator: Triga.

Size [mm]	B [mm]	Material	Product code Code and Configuration
(the width of the radiator)			
380	410	Beech	WRQTRG038 KBUK
380	410	Oak	WRQTRG038 KDAB
380	410	Teak	WRQTRG038 KTEK
480	510	Beech	WRQTRG048 KBUK
480	510	Oak	WRQTRG048 KDAB
480	510	Teak	WRQTRG048 KTEK
580	610	Beech	WRQTRG058 KBUK
580	610	Oak	WRQTRG058 KDAB
580	610	Teak	WRQTRG058 KTEK
680	710	Beech	WRQTRG068 KBUK
680	710	Oak	WRQTRG068 KDAB
680	710	Teak	WRQTRG068 KTEK

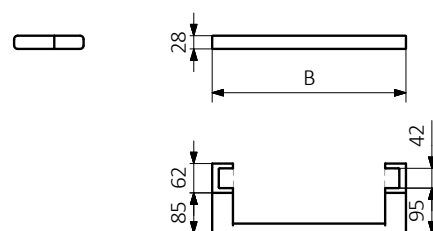


TRIGA towel rail

Available material:    Mounting Brackets: 

Dedicated to the radiator: Triga.

Size [mm]	B [mm]	Material	Product code Code and Configuration
(the width of the radiator)			
380	410	Beech	WRRTRG038 KBUK
380	410	Oak	WRRTRG038 KDAB
380	410	Teak	WRRTRG038 KTEK
480	510	Beech	WRRTRG048 KBUK
480	510	Oak	WRRTRG048 KDAB
480	510	Teak	WRRTRG048 KTEK
580	610	Beech	WRRTRG058 KBUK
580	610	Oak	WRRTRG058 KDAB
580	610	Teak	WRRTRG058 KTEK
680	710	Beech	WRRTRG068 KBUK
680	710	Oak	WRRTRG068 KDAB
680	710	Teak	WRRTRG068 KTEK

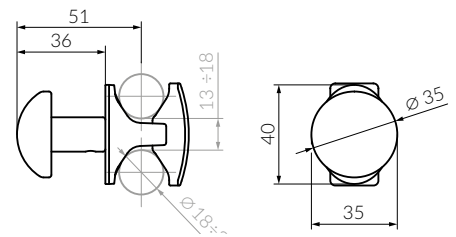


HANDY GRIP hanger

Colour Options: ● ○

Dedicated to the radiator with round tubular profiles.
Set includes two hangers.

Colour	Product code
White	TGWBI010
Chrome	TGWCR008

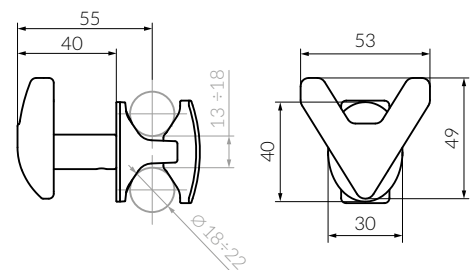


HANDY VIP hanger

Colour Options: ● ○

Dedicated to the radiator with round tubular profiles.
Set includes two hangers.

Colour	Product code
White	TGWBI005
Chrome	TGWCR005



KUKA hanger

Colour Options: ●

Dedicated to the radiator:

Kuka 50 – Sherwood V, Sherwood H

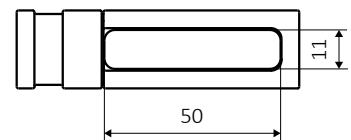
Kuka 70 – Sherwood V (produced until July 2016),

Sherwood H (produced until July 2016), Cyklon

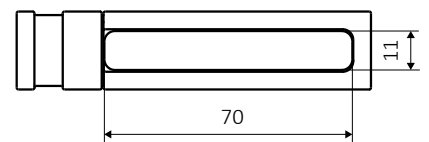


Size	Colour	Product code
50 x 10 mm	Chrome	WRWKUK001 KCRO
70 x 11 mm	Chrome	WRWKUK002 KCRO

Kuka 50



Kuka 70



SPARK hanger

Colour Options: ●

Dedicated to the radiator:

Diamond

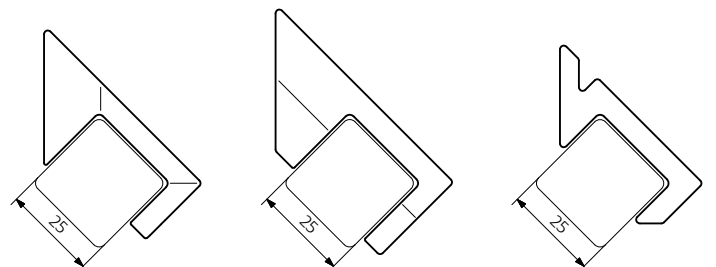
Version	Size	Colour	Product code
SPARK 1	25 mm	Chrome	WRWSP1025 KCRO
SPARK 2	25 mm	Chrome	WRWSP2025 KCRO
SPARK 3	25 mm	Chrome	WRWSP3025 KCRO



Spark 1

Spark 2

Spark 3

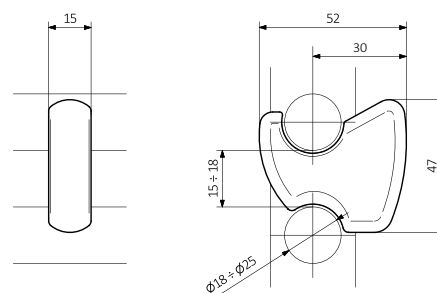


Yo! hanger

Dedicated to the radiator with round tubular profiles.

Yo! hanger fits to the following Terma radiators
Aero H, Aero HG, Alex, Alex One, Domi, Fiona, Fiona One, Lena,
Lima, Lima One, POC 2, Pola, Pola One, Tytus, Tytus One

Colour	Product code
Brown	WRWYOY001 SBRZ
Red	WRWYOY001 SCZE
Green	WRWYOY001 SZIE
Yellow	WRWYOY001 SZOL
Gray	WRWYOY001 SSZA
Blue	WRWYOY001 SNIE
White	WRWYOY001 SBIA
Black	WRWYOY001 SCZA



ZIP H hanger

Colour Options: ●

Dedicated to the radiator:

Zip H 10 – Dexter, Dexter Pro, City, Kioto, Lukka, Marlin,
Mantis, Incorner, Outcorner, Quadrus Slim, Quadrus
Bold, Warp S, Warp T, Warp T Bold, Vivo.

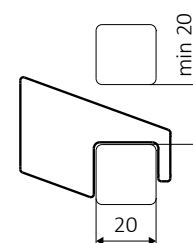
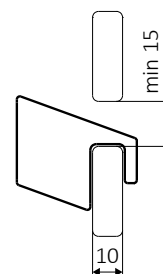
Zip H 20 – Bone.

Size	Colour	Product code
10 mm	Chrome	WRWZIP008 KCRO
20 mm	Chrome	WRWZIP010 KCRO



Zip H 10

Zip H 20



ZIP V hanger

Colour Options: ●

Dedicated to the radiator:

Zip V 10 – Nemo

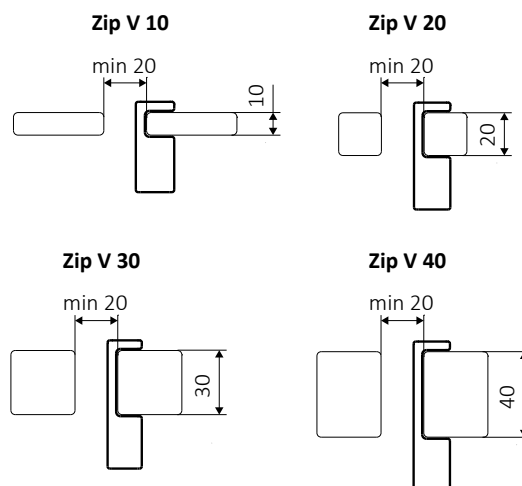
Zip V 20 – Intra, Intra M

Zip V 30 – Angus, Easy, Triga (AW, AN), Sherwood, Simple, ZigZag.

Zip V 40 – Triga.



Size	Colour	Product code
10 mm	Chrome	WRWZIP009 KCRO
20 mm	Chrome	WRWZIP011 KCRO
30 mm	Chrome	WRWZIP012 KCRO
40 mm	Chrome	WRWZIP013 KCRO



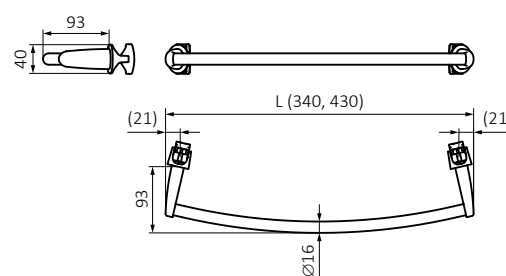
Curved towel rail hanger – BASIC

Colour Options: ● ○

Towel rail suitable for radiators with curved round tubes. There are two variants (for two widths of radiators): 400 mm and 500 mm.

Dedicated to the radiator with curved round tubes: Lena, Domi

Size	Colour	Product code
Ø16/L340 mm	White	TGWBI004
Ø16/L340 mm	Chrome	TGWCR004
Ø16/L430 mm	White	TGWBI002
Ø16/L430 mm	Chrome	TGWCR002



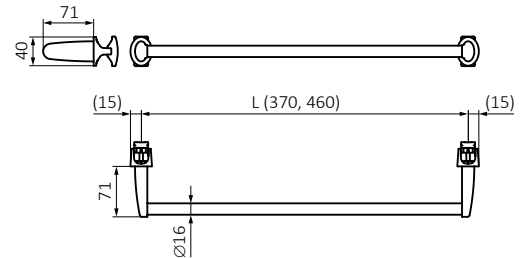
Straight towel rail hanger – BASIC

Colour Options: ● ○

Towel rail suitable for radiators with straight round bars.

There are two variants (for two widths of radiators): 400 mm and 500 mm.
Dedicated to the radiator with straight round bars: Fiona, Mike.

Size	Colour	Product code
Ø16/L370 mm	White	TGWBI003
Ø16/L370 mm	Chrome	TGWCR003
Ø16/L460 mm	White	TGWBI001
Ø16/L460 mm	Chrome	TGWCR001



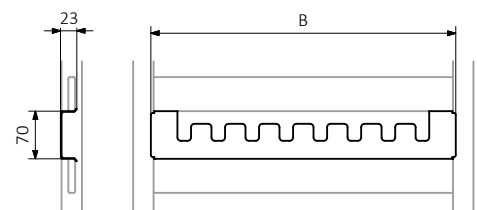
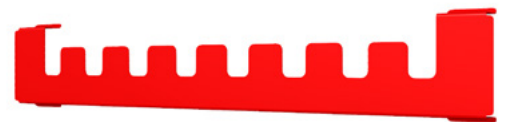
HAPPY HIPPO hanger

Colour Options: RAL Colour Palette and Terma Special Colours.
Not available in chrome.

Dedicated to the radiator: Vivo.

Size [mm] (the width of the radiator)	Colour	Product code
300	RAL + Special colours palette (without chrome)	WRWH1C024
400	RAL + Special colours palette (without chrome)	WRWH1C034
500	RAL + Special colours palette (without chrome)	WRWH1C044
600	RAL + Special colours palette (without chrome)	WRWH1C054

Configuration code p. 791



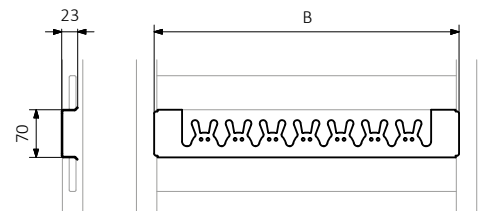
HAPPY RABBIT hanger

Colour Options: RAL Colour Palette and Terma Special Colours.
Not available in chrome.

Dedicated to the radiator: Vivo



Size [mm] (the width of the radiator)	Colour	Product code <small>Configuration code p. 791</small>
300	RAL + Special colours palette (without chrome)	WRWH1B024
400	RAL + Special colours palette (without chrome)	WRWH1B034
500	RAL + Special colours palette (without chrome)	WRWH1B044
600	RAL + Special colours palette (without chrome)	WRWH1B054



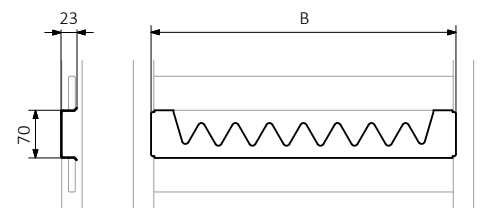
HAPPY SHARK hanger

Colour Options: RAL Colour Palette and Terma Special Colours.
Not available in chrome.

Dedicated to the radiator: Vivo



Size [mm] (the width of the radiator)	Colour	Product code <small>Configuration code p. 791</small>
300	RAL + Special colours palette (without chrome)	WRWH1A024
400	RAL + Special colours palette (without chrome)	WRWH1A034
500	RAL + Special colours palette (without chrome)	WRWH1A044
600	RAL + Special colours palette (without chrome)	WRWH1A054

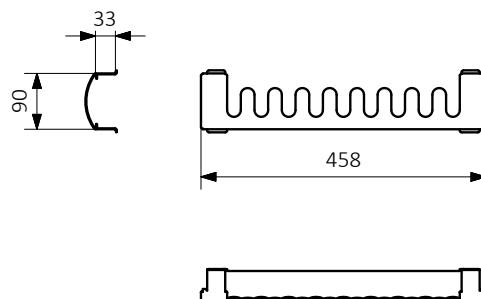
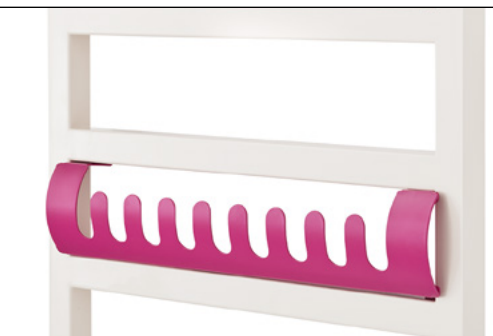


SIMPLE hanger

Colour Options: RAL Colour Palette and Terma Special Colours.
Not available in chrome.

Dedicated to the radiator: Simple.

Size	Colour	Product code <small>Configuration code p. 791</small>
500 mm	RAL + Special colours palette (without chrome)	WRWSIM004

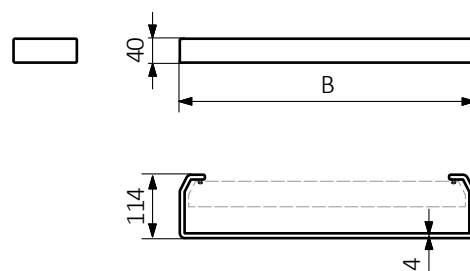


Case Slim hanger

Colour Options: RAL Colour Palette and Terma Special Colours,
available in chrome

Dedicated to the radiator: Case Slim

Size	B [mm]	Colour	Product code <small>Configuration code p. 791</small>
420 mm	448	RAL + Special colours palette (with chrome)	WRRCSS042
520 mm	548	RAL + Special colours palette (with chrome)	WRRCSS052
620 mm	648	RAL + Special colours palette (with chrome)	WRRCSS062

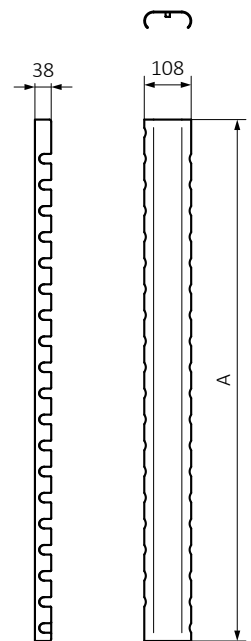
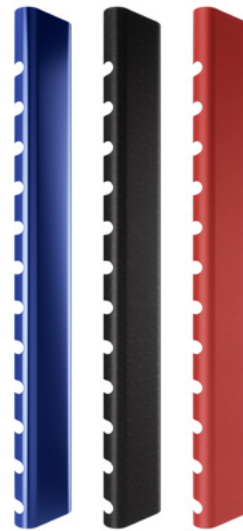


Michelle fascia

Colour Options: RAL Colour Palette and Terma Special Colours, available in chrome.

Dedicated to the Michelle radiator.

Size	Orientation	Product code
		<i>Configuration code p. 791</i>
780 mm	Left	WRCMIC078L
780 mm	Right	WRCMIC078P
1200 mm	Left	WRCMIC120L
1200 mm	Right	WRCMIC120P
1620 mm	Left	WRCMIC162L
1620 mm	Right	WRCMIC162P

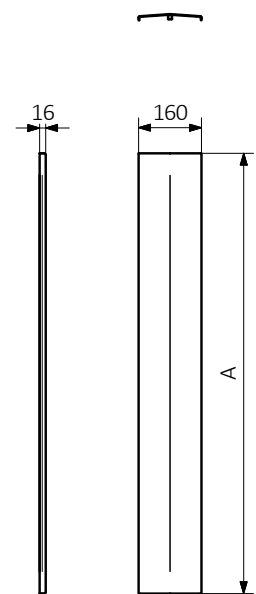


Iron D and Iron S fascia

Colour Options: RAL Colour Palette and Terma Special Colours.
Not available in chrome.

Dedicated to the Iron D and Iron S radiators.

Size	Product code
	<i>Configuration code p. 791</i>
730 mm	WRCIRX073
925 mm	WRCIRX092
1120 mm	WRCIRX112
1315 mm	WRCIRX131
1510 mm	WRCIRX151
1705 mm	WRCIRX170



Valve sets

Dexter manual valve set

Available versions:



The left or right-hand version determines the position of the thermostatic insert or manual valve with male thread.

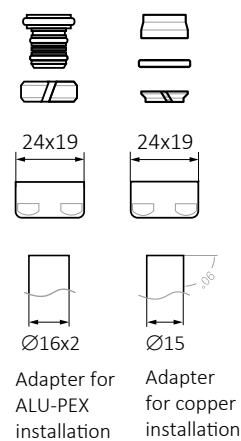
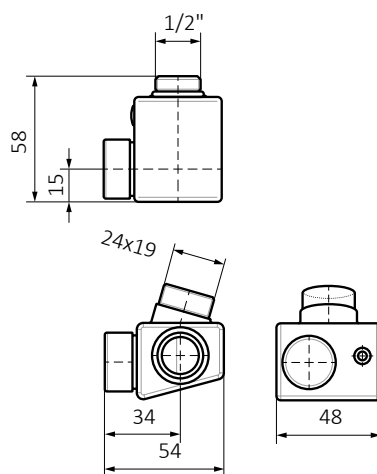
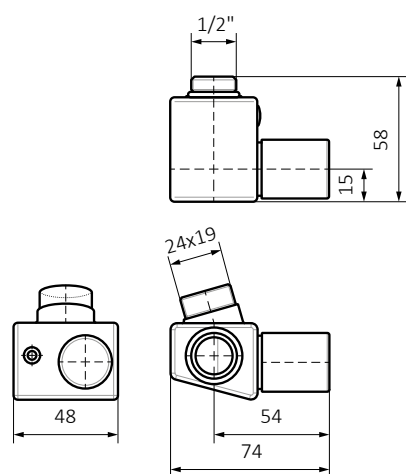
Colour Options: ○●○

Connections:



Dedicated to the radiator:

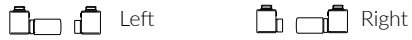
Dexter



Position	Size	Colour	Product code
Left	GZ 1/2" - Ø16x2, Ø15	White	TGERCD2-BI
Right	GZ 1/2" - Ø16x2, Ø15	White	TGERCD1-BI
Left	GZ 1/2" - Ø16x2, Ø15	Chrome	TGERCD1-CR
Right	GZ 1/2" - Ø16x2, Ø15	Chrome	TGERCD2-CR
Left	GZ 1/2" - Ø16x2, Ø15	Satin	TGERCD1-ST
Right	GZ 1/2" - Ø16x2, Ø15	Satin	TGERCD2-ST

Dexter thermostatic valve set

Available versions:



The left or right-hand version determines the position of the thermostatic insert or manual valve with male thread.

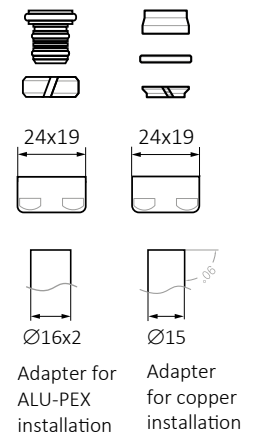
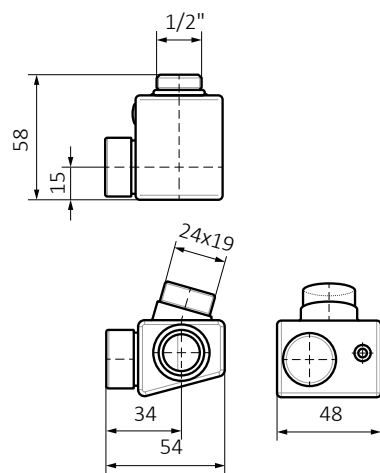
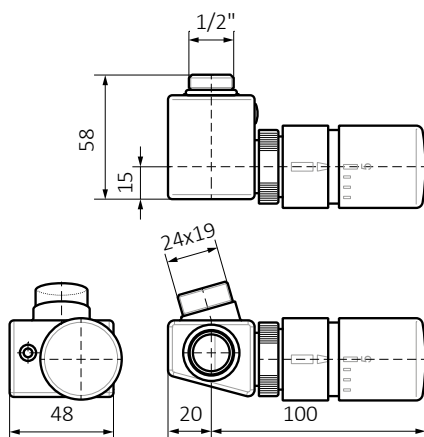
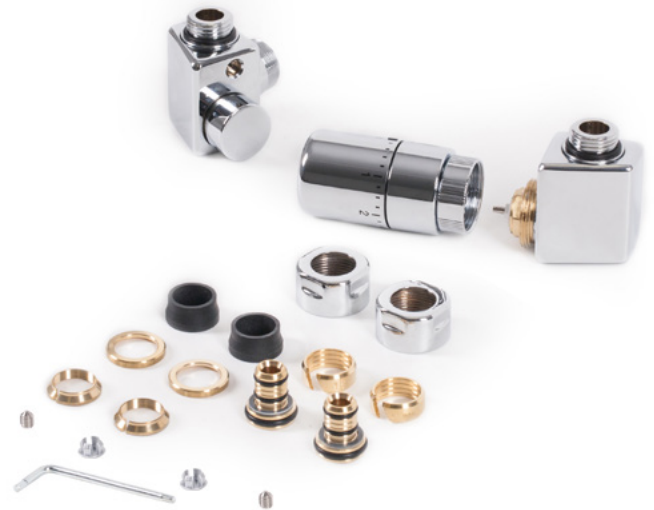
Colour Options: ○●○

Connections:



Dedicated to the radiator:

Dexter

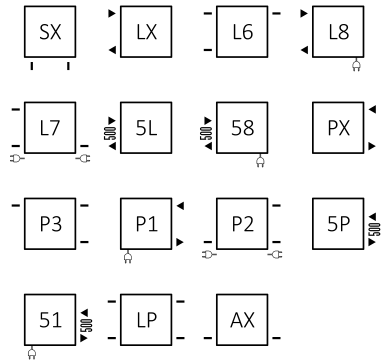


Position	Size	Colour	Product code
Left	GZ 1/2" - Ø16x2, Ø15	White	TGETCG1-BI
Right	GZ 1/2" - Ø16x2, Ø15	White	TGETCG2-BI
Left	GZ 1/2" - Ø16x2, Ø15	Chrome	TGETCG6-CR
Right	GZ 1/2" - Ø16x2, Ø15	Chrome	TGETCG7-CR
Left	GZ 1/2" - Ø16x2, Ø15	Satin	TGETCG1-ST
Right	GZ 1/2" - Ø16x2, Ø15	Satin	TGETCG2-ST

Brass Wood angled regulatnig valve set

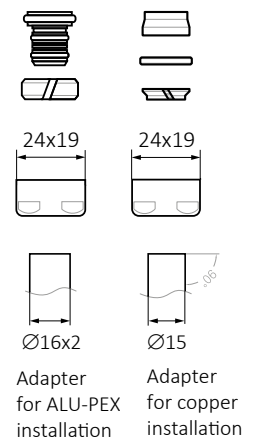
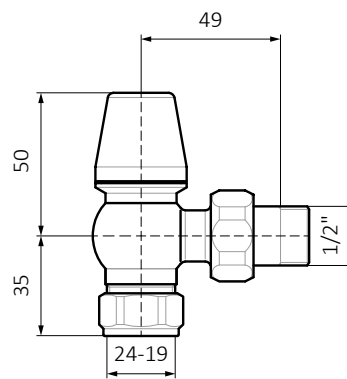
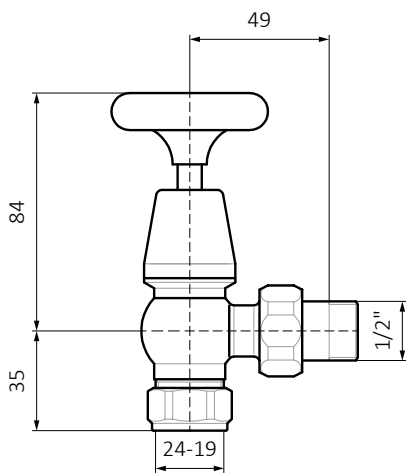
Colour Options: ●

Connections:



Dedicated to the radiator:

Pająk

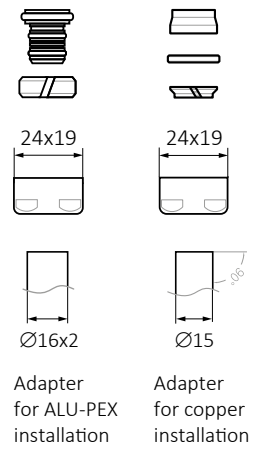
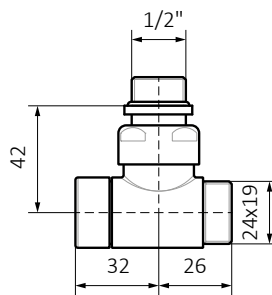
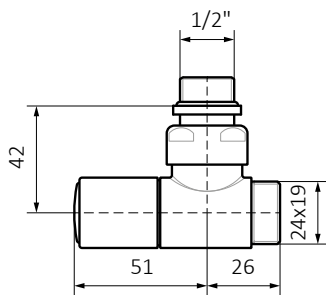
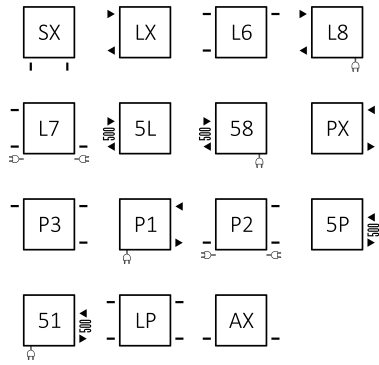


Size	Colour	Product code
GZ 1/2" - Ø16x2, Ø15	Brush Copper	TGERME001

Angled manual valves set

Colour Options: ●●

Connections:

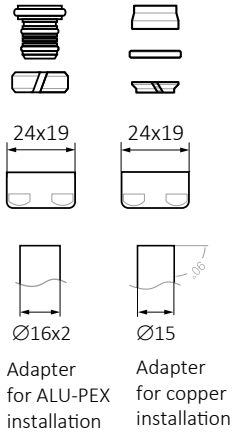
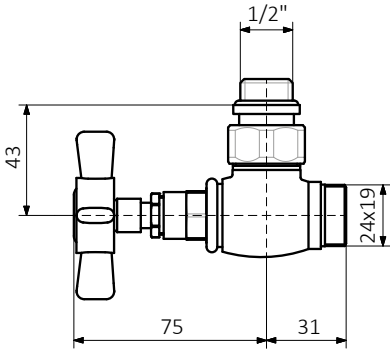
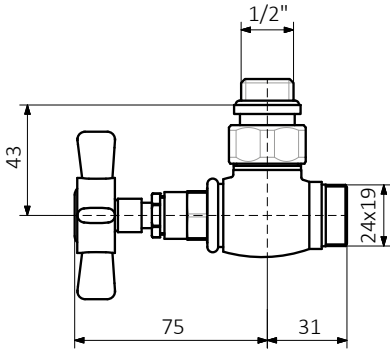
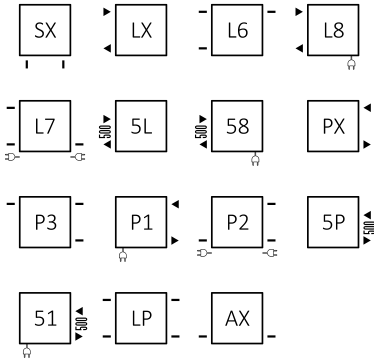


Size	Colour	Product code
GZ 1/2" - Ø16x2, Ø15	Chrome	WRZRCK1-CR
GZ 1/2" - Ø16x2, Ø15	Satin	WRZRCK1-ST

Star angled manual valves set

Colour Options: ●

Connections:

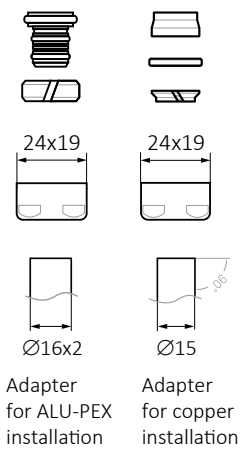
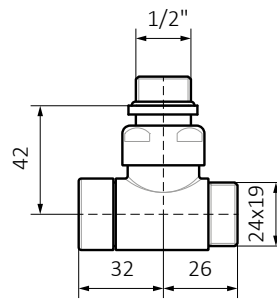
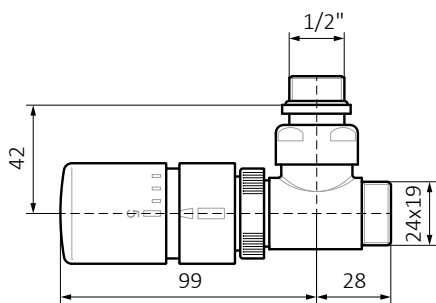
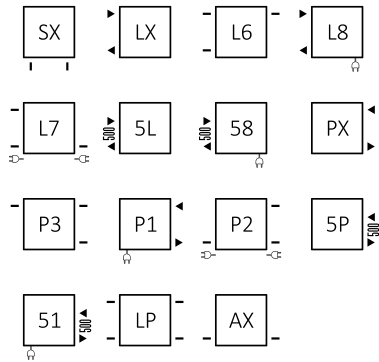


Size	Colour	Product code
GZ 1/2" - Ø16x2, Ø15	Chrome	TGERSTCR01

Angled thermostatic valve set

Colour Options: ●●

Connections:



Size	Colour	Product code
GZ 1/2" - Ø16x2, Ø15	Chrome	WRZTCG3-CR
GZ 1/2" - Ø16x2, Ø15	Satin	WRZTCG3-ST

3-axis manual valve set

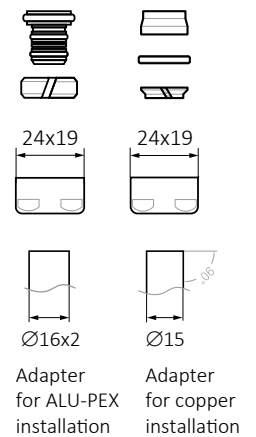
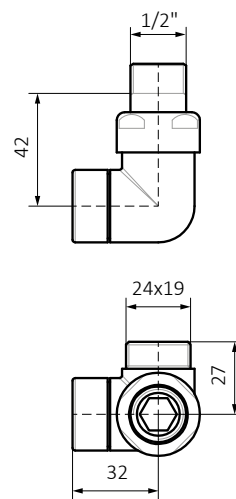
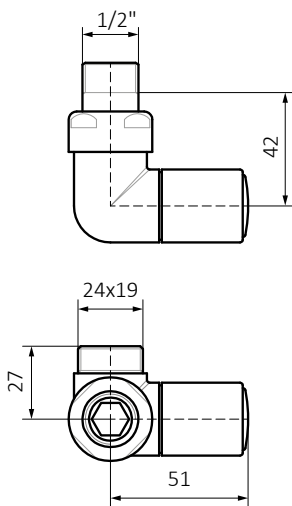
Available versions:



The left or right-hand version determines the position of the thermostatic insert or manual valve with male thread.

Colour Options: ●●

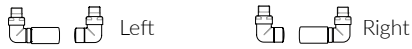
Connections:



Position	Size	Colour	Product code
Left	GZ 1/2" - Ø16x2, Ø15	Chrome	WRZRC31-CR
Right	GZ 1/2" - Ø16x2, Ø15	Chrome	WRZRC32-CR
Left	GZ 1/2" - Ø16x2, Ø15	Satin	WRZRC31-ST
Right	GZ 1/2" - Ø16x2, Ø15	Satin	WRZRC32-ST

3-axis thermostatic valve set

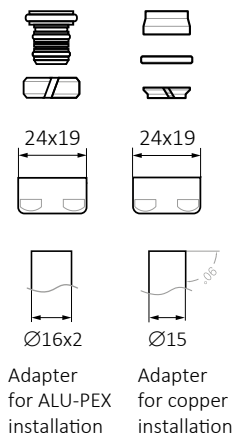
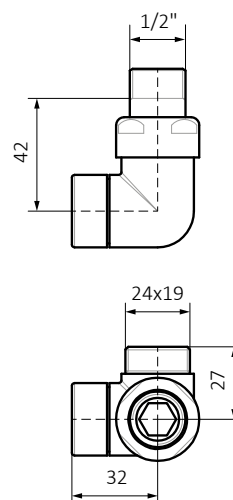
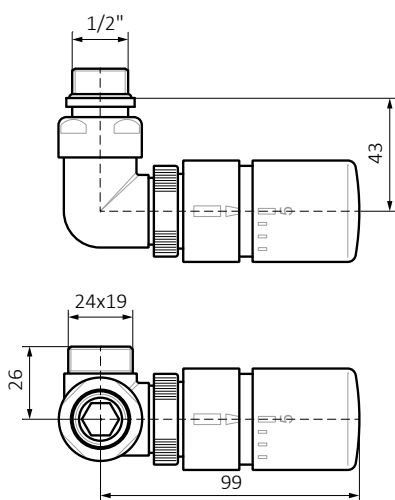
Available versions:



The left or right-hand version determines the position of the thermostatic insert or manual valve with male thread.

Colour Options: ●●

Connections:



Position	Size	Colour	Product code
Left	GZ 1/2" - Ø16x2, Ø15	Chrome	WRZTCG1-CR
Right	GZ 1/2" - Ø16x2, Ø15	Chrome	WRZTCG2-CR
Left	GZ 1/2" - Ø16x2, Ø15	Satin	WRZTCG8-ST
Right	GZ 1/2" - Ø16x2, Ø15	Satin	WRZTCG9-ST

3-axis thermostatic valve and lockshield integrated with T-piece set

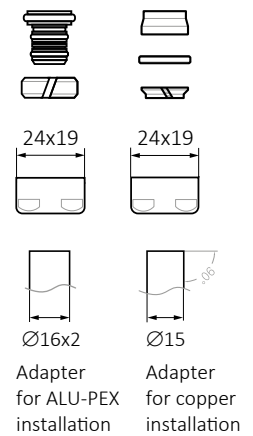
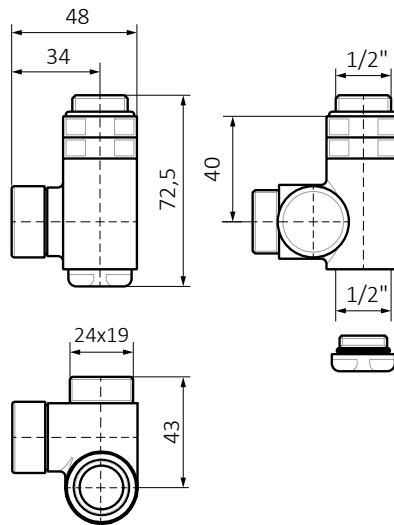
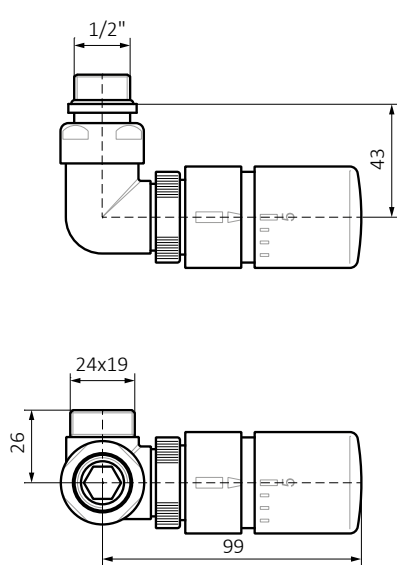
Available versions:



The left or right-hand version determines the position of the thermostatic insert or manual valve with male thread.

Colour Options: ●●

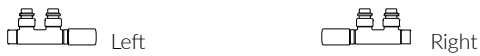
Connections:



Position	Size	Colour	Product code
Left	GZ 1/2" - Ø16x2, Ø15	Chrome	WRZTCG4-CR
Right	GZ 1/2" - Ø16x2, Ø15	Chrome	WRZTCG5-CR
Left	GZ 1/2" - Ø16x2, Ø15	Satin	WRZTCG4-ST
Right	GZ 1/2" - Ø16x2, Ø15	Satin	WRZTCG5-ST

Integrated thermostatic valve set

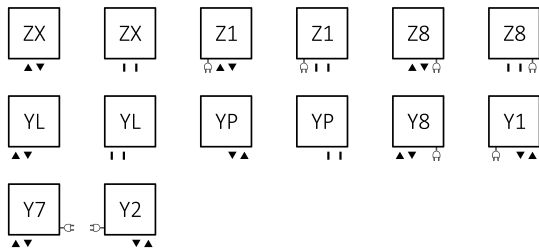
Available versions:



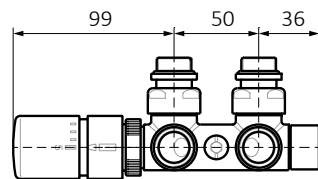
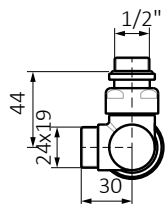
The left or right-hand version determines the position of the thermostatic insert or manual valve with male thread.

Colour Options: ● ●

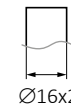
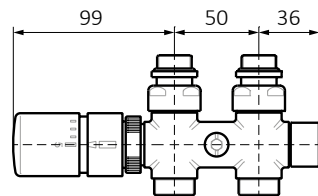
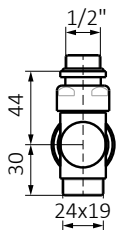
Connections:



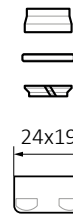
Angled valve - 90°



Inline valve



Adapter for ALU-PEX installation

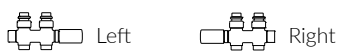


Adapter for copper installation

Position	Size	Colour	Product code
Angled valve - 90°			
Left	GZ 1/2" - Ø16x2, Ø15	Chrome	WRZT5G1-CR
Right	GZ 1/2" - Ø16x2, Ø15	Chrome	WRZT5G2-CR
Left	GZ 1/2" - Ø16x2, Ø15	Satin	WRZT5G1-ST
Right	GZ 1/2" - Ø16x2, Ø15	Satin	WRZT5G2-ST
Inline valve			
Left	GZ 1/2" - Ø16x2, Ø15	Chrome	WRZT5G3-CR
Right	GZ 1/2" - Ø16x2, Ø15	Chrome	WRZT5G4-CR
Left	GZ 1/2" - Ø16x2, Ø15	Satin	WRZT5G3-ST
Right	GZ 1/2" - Ø16x2, Ø15	Satin	WRZT5G4-ST

Integrated thermostatic T-piece valve set

Available versions:



The left or right-hand version determines the position of the thermostatic insert or manual valve with male thread.

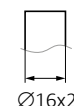
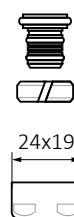
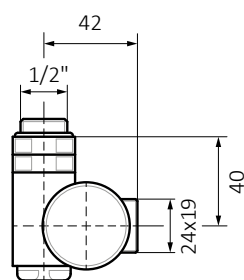
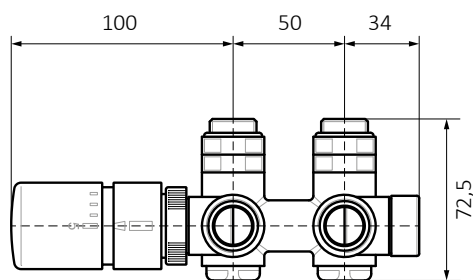
Colour Options: ● ●

Dedicated to the radiator:

Michelle, Warp S, Iron D, Iron S



Note: Due to the protection of the thermal fuse of the heating element, we recommend installing the element on the return side



Adapter for ALU-PEX installation

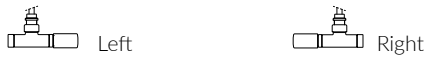


Adapter for copper installation

Position	Size	Colour	Product code
Left	GZ 1/2" - Ø16x2, Ø15	Chrome	WRZT5G14-CR
Right	GZ 1/2" - Ø16x2, Ø15	Chrome	WRZT5G15-CR
Left	GZ 1/2" - Ø16x2, Ø15	Satin	WRZT5G14-ST
Right	GZ 1/2" - Ø16x2, Ø15	Satin	WRZT5G15-ST

Integrated thermostatic valve with immersion tube set

Available versions:



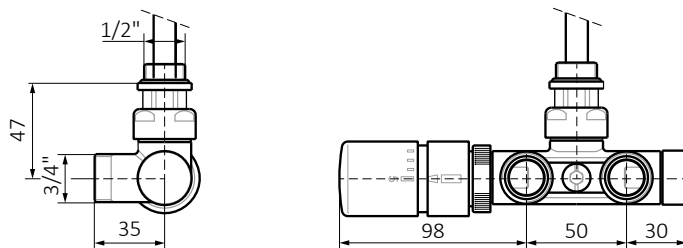
The left or right-hand version determines the position of the thermostatic insert or manual valve with male thread.

Colour Options: ●●

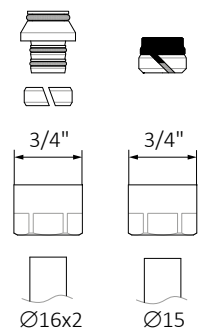
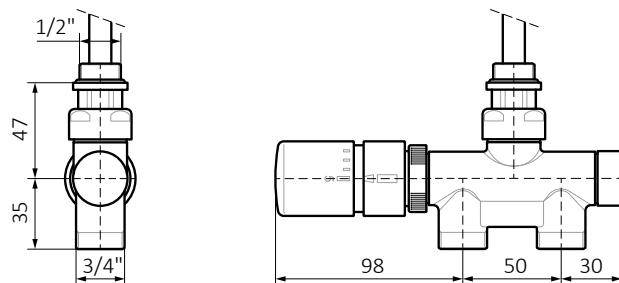
Connections



Angled valve - 90°



Inline valve



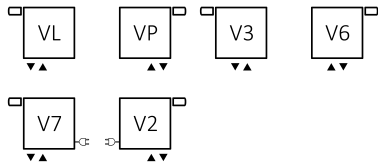
Adapter for ALU-PEX installation Adapter for copper installation

Position	Size	Colour	Product code
Angled valve - 90°			
Left	GZ 1/2"-Ø16x2, Ø15	Chrome	WRZT5G5-CR
Right	GZ 1/2"-Ø16x2, Ø15	Chrome	WRZT5G6-CR
Left	GZ 1/2"-Ø16x2, Ø15	Satin	WRZT5G5-ST
Right	GZ 1/2"-Ø16x2, Ø15	Satin	WRZT5G6-ST
Inline valve			
—	GZ 1/2"-Ø16x2, Ø15	Chrome	WRZT5G7-CR
—	GZ 1/2"-Ø16x2, Ø15	Satin	WRZT5G7-ST

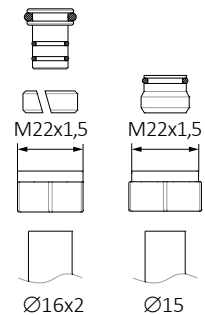
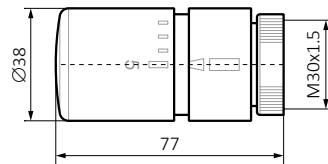
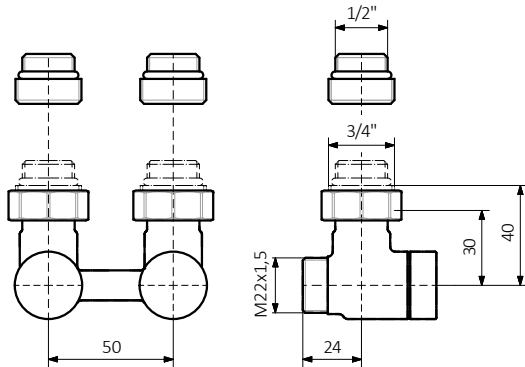
Integrated lockshield valves set

Colour Options: ● ○

Connections:

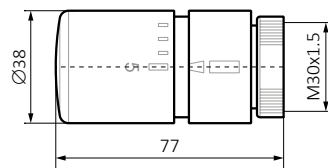
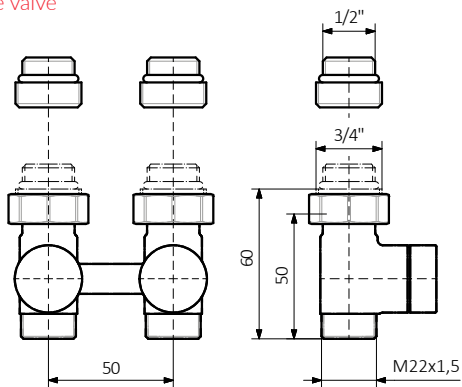


Angled valve - 90°



Adapter for ALU-PEX installation
Adapter for copper installation

Inline valve



Size	Colour	Product code
Angled valve - 90°		
GW 3/4" (GZ 1/2") - Ø16x2, Ø15	Chrome	WRZOSSC1-CR
GW 3/4" (GZ 1/2") - Ø16x2, Ø15	Satin	WRZOSSC1-ST
Inline valve		
GW 3/4" (GZ 1/2") - Ø16x2, Ø15	Chrome	WRZOSSC2-CR
GW 3/4" (GZ 1/2") - Ø16x2, Ø15	Satin	WRZOSSC2-ST

Valves and accessories

Integrated thermostatic valve with immersion tube

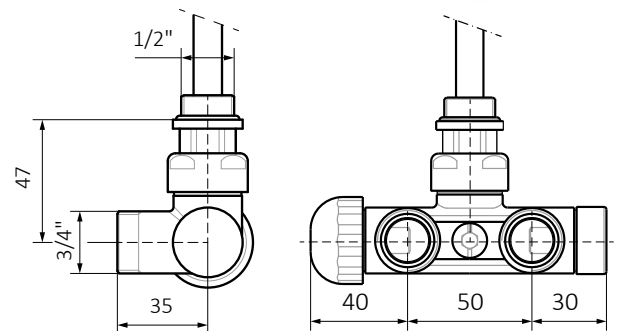
Angled valve - 90°

Available versions:



Colour Options: ○ ● ● ● ●

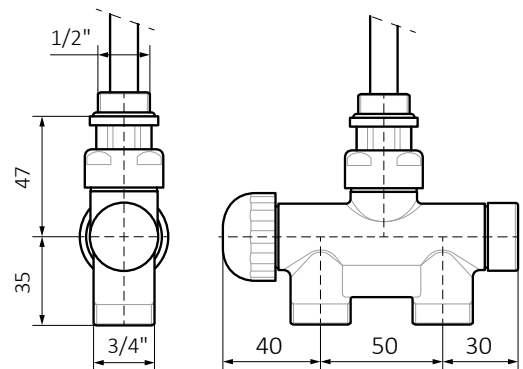
Position	Size	Colour	Product code
Left	GZ 1/2" - GZ 3/4"	White	TGZTBI008
Right	GZ 1/2" - GZ 3/4"	White	TGZTBI009
Right	GZ 1/2" - GZ 3/4"	Chrome	TGZTCR018
Left	GZ 1/2" - GZ 3/4"	Chrome	TGZTCR019
Right	GZ 1/2" - GZ 3/4"	Satin	TGZTST016
Left	GZ 1/2" - GZ 3/4"	Satin	TGZTST017
Right	GZ 1/2" - GZ 3/4"	Black matt	TGZTCM007
Left	GZ 1/2" - GZ 3/4"	Black matt	TGZTCM006
Right	GZ 1/2" - GZ 3/4"	Black gloss	TGZTCZ007
Left	GZ 1/2" - GZ 3/4"	Black gloss	TGZTCZ006



Inline valve

Colour Options: ○ ● ●

Position	Size	Colour	Product code
—	GZ 1/2" - GZ 3/4"	White	TGZTBI010
—	GZ 1/2" - GZ 3/4"	Chrome	TGZTCR18
—	GZ 1/2" - GZ 3/4"	Satin	TGZTST018



Integrated thermostatic valve

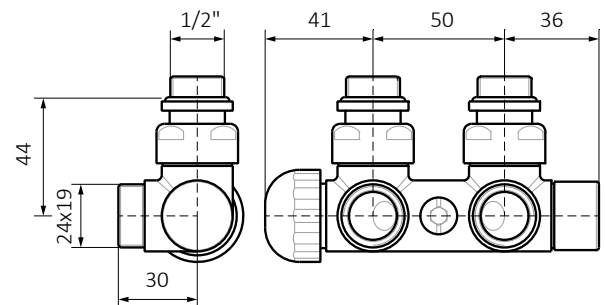
Angled valve - 90°

Available versions:



Colour Options: ○ ● ● ● ●

Position	Size	Colour	Product code
Left	GZ 1/2" - GZ 24x19	White	TGZTBI011
Right	GZ 1/2" - GZ 24x19	White	TGZTBI012
Left	GZ 1/2" - GZ 24x19	Chrome	TGZTCR005
Right	GZ 1/2" - GZ 24x19	Chrome	TGZTCR006
Left	GZ 1/2" - GZ 24x19	Satin	TGZTST005
Right	GZ 1/2" - GZ 24x19	Satin	TGZTST006
Left	GZ 1/2" - GZ 24x19	Black matt	TGZTCM001
Right	GZ 1/2" - GZ 24x19	Black matt	TGZTCM002
Left	GZ 1/2" - GZ 24x19	Black gloss	TGZTCZ001
Right	GZ 1/2" - GZ 24x19	Black gloss	TGZTCZ002



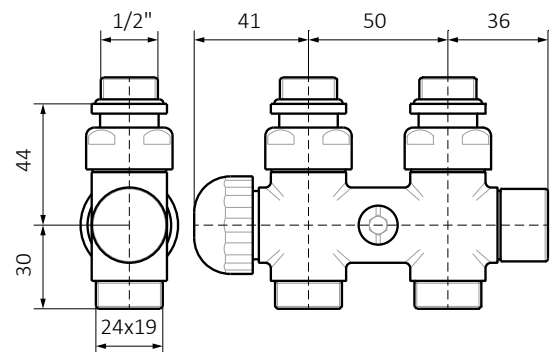
Inline valve

Available versions:



Colour Options: ● ○

Position	Size	Colour	Product code
Left	GZ 1/2" - GZ 24x19	Chrome	TGZTCR013
Right	GZ 1/2" - GZ 24x19	Chrome	TGZTCR014
Left	GZ 1/2" - GZ 24x19	Satin	TGZTST012
Right	GZ 1/2" - GZ 24x19	Satin	TGZTST013



Integrated thermostatic T-piece valve

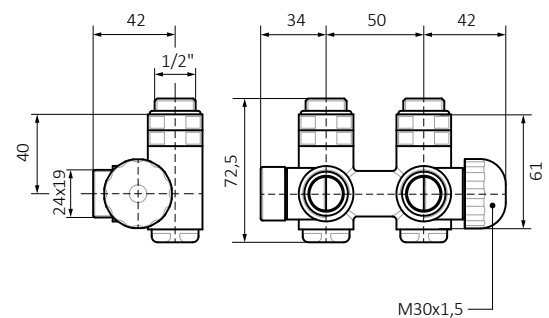
Available versions:



Colour Options: ○ ● ●

Note: Due to the protection of the thermal fuse of the heating element, we recommend installing the element on the return side

Position	Size	Colour	Product code
Left	GZ 1/2" - GW 1/2" - GZ 24-19	White	TGZTBI013
Right	GZ 1/2" - GW 1/2" - GZ 24-19	White	TGZTBI014
Left	GZ 1/2" - GW 1/2" - GZ 24-19	Chrome	TGZTCR022
Right	GZ 1/2" - GW 1/2" - GZ 24-19	Chrome	TGZTCR021
Left	GZ 1/2" - GW 1/2" - GZ 24-19	Satin	TGZTST020
Right	GZ 1/2" - GW 1/2" - GZ 24-19	Satin	TGZTST021



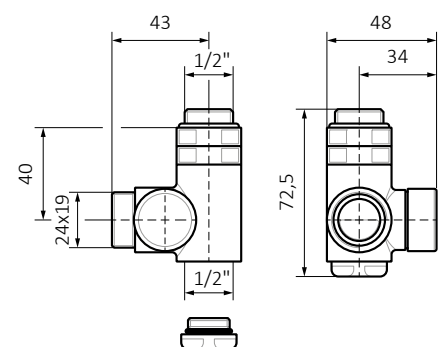
Lockshield valve integrated with T-piece

Available versions:



Colour Options: ○ ● ● ● ●

Position	Size	Colour	Product code
Left	GZ 1/2" - GW 1/2" - GZ 24x19	White	TGZOBI009
Right	GZ 1/2" - GW 1/2" - GZ 24x19	White	TGZOBI010
Left	GZ 1/2" - GW 1/2" - GZ 24x19	Chrome	TGZO CR010
Right	GZ 1/2" - GW 1/2" - GZ 24x19	Chrome	TGZO CR012
Left	GZ 1/2" - GW 1/2" - GZ 24x19	Satin	TGZO ST008
Right	GZ 1/2" - GW 1/2" - GZ 24x19	Satin	TGZO ST010
Left	GZ 1/2" - GW 1/2" - GZ 24x19	Black matt	TGZO CM004
Right	GZ 1/2" - GW 1/2" - GZ 24x19	Black matt	TGZO CM005
Left	GZ 1/2" - GW 1/2" - GZ 24x19	Black gloss	TGZO CZ004
Right	GZ 1/2" - GW 1/2" - GZ 24x19	Black gloss	TGZO CZ005

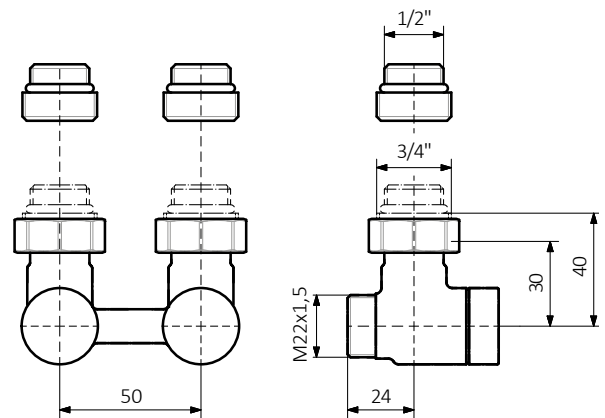


Integrated lockshield valve

Angled valve - 90°

Colour Options:

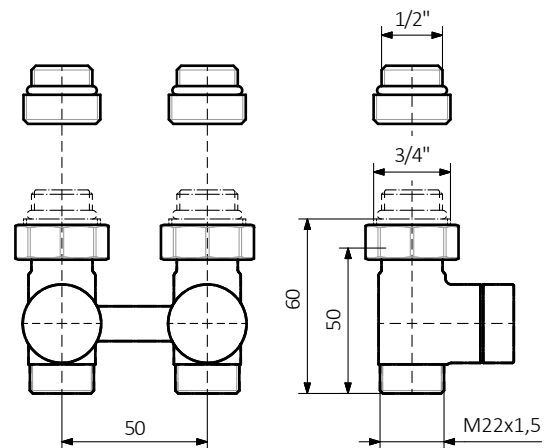
Size	Colour	Product code
GW 3/4" (GZ 1/2") - GZ M22x1,5	Chrome	TGEOCR001
GW 3/4" (GZ 1/2") - GZ M22x1,5	Satin	TGEOST001
GW 3/4" (GZ 1/2") - GZ M22x1,5	Black matt	TGEOCM001



Inline valve

Colour Options:

Size	Colour	Product code
GW 3/4" (GZ 1/2") - GZ M22x1,5	Chrome	TGEOCR002
GW 3/4" (GZ 1/2") - GZ M22x1,5	Satin	TGEOST002
GW 3/4" (GZ 1/2") - GZ M22x1,5	Black matt	TGEOCM002



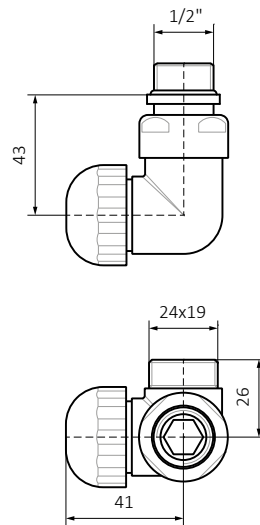
3-axis thermostatic valve

Available versions:



Colour Options: ○ ● ● ● ● ●

Position	Size	Colour	Product code
Left	GZ 1/2" - GZ 24x19	White	TGZTBI002
Right	GZ 1/2" - GZ 24x19	White	TGZTBI003
Left	GZ 1/2" - GZ 24x19	Chrome	TGZTCR002
Right	GZ 1/2" - GZ 24x19	Chrome	TGZTCR004
Left	GZ 1/2" - GZ 24x19	Satin	TGZTST002
Right	GZ 1/2" - GZ 24x19	Satin	TGZTST004
Left	GZ 1/2" - GZ 24x19	Black matt	TGZTCM003
Right	GZ 1/2" - GZ 24x19	Black matt	TGZTCM004
Left	GZ 1/2" - GZ 24x19	Black gloss	TGZTCZ003
Right	GZ 1/2" - GZ 24x19	Black gloss	TGZTCZ004



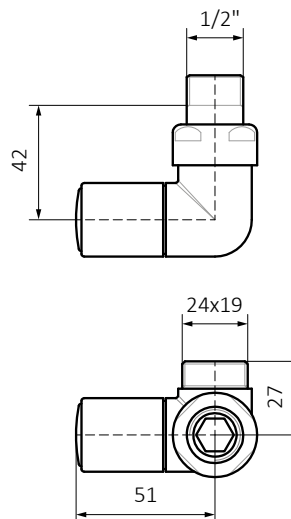
3-axis manual valve

Available versions:



Colour Options: ○ ● ● ● ● ●

Position	Size	Colour	Product code
Left	GZ 1/2" - GZ 24x19	White	TGZRBI002
Right	GZ 1/2" - GZ 24x19	White	TGZRBI004
Left	GZ 1/2" - GZ 24x19	Chrome	TGZRRCR002
Right	GZ 1/2" - GZ 24x19	Chrome	TGZRRCR004
Left	GZ 1/2" - GZ 24x19	Satin	TGZRST002
Right	GZ 1/2" - GZ 24x19	Satin	TGZRST004
Left	GZ 1/2" - GZ 24x19	Black matt	TGZRRCM002
Right	GZ 1/2" - GZ 24x19	Black matt	TGZRRCM003
Left	GZ 1/2" - GZ 24x19	Black gloss	TGZRRCZ002
Right	GZ 1/2" - GZ 24x19	Black gloss	TGZRRCZ003



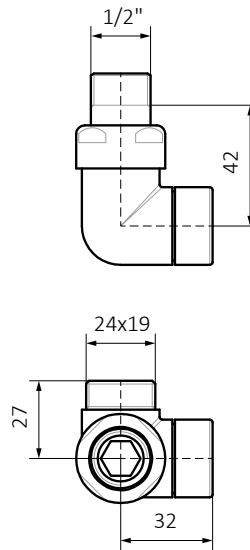
3-axis lockshield valve

Available versions:



Colour Options: ○ ● ● ● ● ●

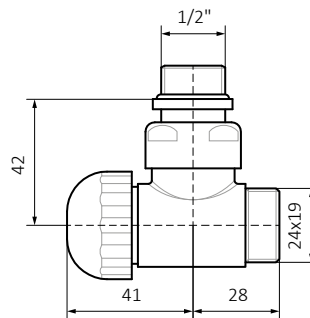
Position	Size	Colour	Product code
Left	GZ 1/2" - GZ 24x19	White	TGZOBI002
Right	GZ 1/2" - GZ 24x19	White	TGZOBI004
Left	GZ 1/2" - GZ 24x19	Chrome	TGZOCCR002
Right	GZ 1/2" - GZ 24x19	Chrome	TGZOCCR004
Left	GZ 1/2" - GZ 24x19	Satin	TGZOOST002
Right	GZ 1/2" - GZ 24x19	Satin	TGZOOST004
Left	GZ 1/2" - GZ 24x19	Black matt	TGZOOCM002
Right	GZ 1/2" - GZ 24x19	Black matt	TGZOOCM003
Left	GZ 1/2" - GZ 24x19	Black gloss	TGZOOCZ002
Right	GZ 1/2" - GZ 24x19	Black gloss	TGZOOCZ003



Angled thermostatic valve

Colour Options: ○ ● ● ● ● ●

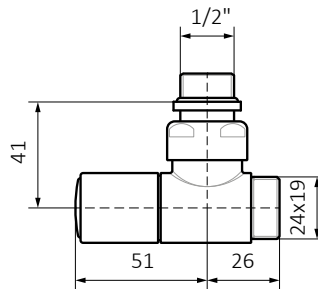
Size	Colour	Product code
GZ 1/2" - GZ 24x19	White	TGZTBI005
GZ 1/2" - GZ 24x19	Chrome	TGZTCR009
GZ 1/2" - GZ 24x19	Satin	TGZTST009
GZ 1/2" - GZ 24x19	Black matt	TGZTCM005
GZ 1/2" - GZ 24x19	Black gloss	TGZTCZ005



Angled manual valve

Colour Options: ○ ● ● ● ● ●

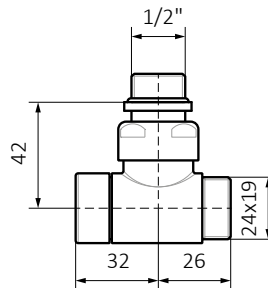
Size	Colour	Product code
GZ 1/2" - GZ 24x19	White	TGZRBI006
GZ 1/2" - GZ 24x19	Chrome	TGZRRCR006
GZ 1/2" - GZ 24x19	Satin	TGZRST006
GZ 1/2" - GZ 24x19	Black matt	TGZRMC001
GZ 1/2" - GZ 24x19	Black gloss	TGZRZC001



Angled lockshield valve

Colour Options: ○ ● ● ● ● ●

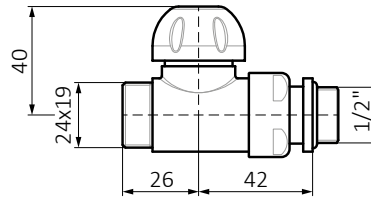
Size	Colour	Product code
GZ 1/2" - GZ 24x19	White	TGZOBI006
GZ 1/2" - GZ 24x19	Chrome	TGZOOCR013
GZ 1/2" - GZ 24x19	Satin	TGZOOST006
GZ 1/2" - GZ 24x19	Black matt	TGZOOCM001
GZ 1/2" - GZ 24x19	Black gloss	TGZOOCZ001



Straight thermostatic valve

Colour Options: ○●●

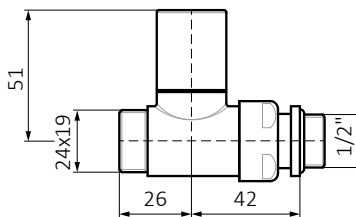
Size	Colour	Product code
GZ 1/2" - GZ 24x19	White	TGZTBI006
GZ 1/2" - GZ 24x19	Chrome	TGZTCR015
GZ 1/2" - GZ 24x19	Satin	TGZTST019



Straight manual valve

Colour Options: ○●●

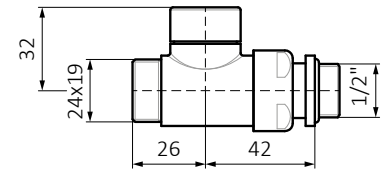
Size	Colour	Product code
GZ 1/2" - GZ 24x19	White	TGZRBI007
GZ 1/2" - GZ 24x19	Chrome	TGZRRCR009
GZ 1/2" - GZ 24x19	Satin	TGZRST007



Straight lockshield valve

Colour Options: ○●●○

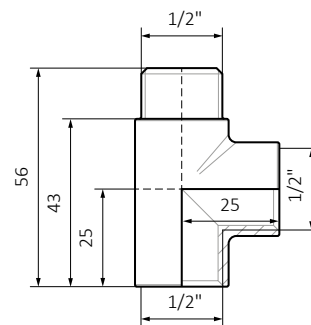
Size	Colour	Product code
GZ 1/2" - GZ 24x19	White	TGZOBI007
GZ 1/2" - GZ 24x19	Chrome	TGZO CR008
GZ 1/2" - GZ 24x19	Satin	TGZO ST012



T-piece

Colour Options: ○●●●●

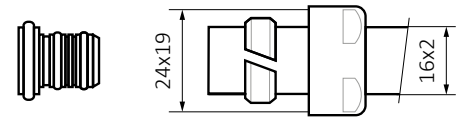
Size	Colour	Product code
GZ 1/2" - GW 1/2" - GW 1/2"	White	WRT1C2 916
GZ 1/2" - GW 1/2" - GW 1/2"	Chrome	WRT1C2 CRO
GZ 1/2" - GW 1/2" - GW 1/2"	Satin	WRT1C2 SMA
GZ 1/2" - GW 1/2" - GW 1/2"	Black matt	WRT1C2 9M5



Adapter for alupex – 24x19

Colour Options: ● ○ ● ●

Size	Colour	Product code
GW 24x19 – Ø16x2	Chrome	TGACR019
GW 24x19 – Ø16x2	Satin	TGAST017
GW 24x19 – Ø16x2	Black matt	TGACM001
GW 24x19 – Ø16x2	Black gloss	TGACZ001

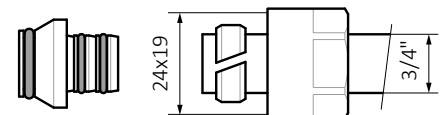


Adapter for alupex – 3/4"

Adapter for an integrated thermostatic valve with immersion pipe

Colour Options: ● ○ ● ●

Size	Colour	Product code
GW 3/4" – Ø16x2	Chrome	TGACR015
GW 3/4" – Ø16x2	Satin	TGAST015
GW 3/4" – Ø16x2	Black matt	TGACM002
GW 3/4" – Ø16x2	Black gloss	TGACZ005

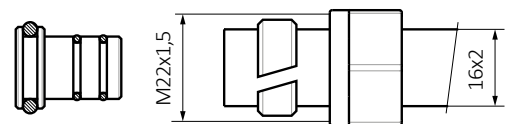


Adapter for alupex – M22x1,5

Adapter for integrated lockshield valve

Colour Options: ● ○ ●

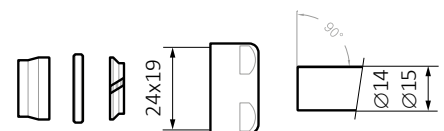
Size	Colour	Product code
GW M22x1,5 – Ø16x2	Chrome	TGACR011
GW M22x1,5 – Ø16x2	Satin	TGAST011
GW M22x1,5 – Ø16x2	Black matt	TGACM003



Adapter for copper – 24x19

Colour Options: ● ○

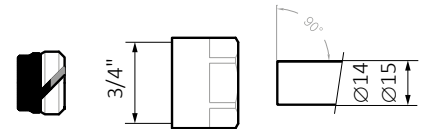
Size	Colour	Product code
GW 24x19 – Ø15	Chrome	TGACR003
GW 24x19 – Ø15	Satin	TGAST003



Adapter for copper – 3/4"

Colour Options: ●●

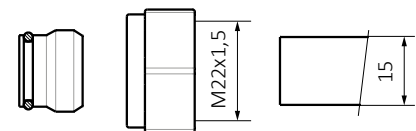
Size	Colour	Product code
GW 3/4" – Ø15	Chrome	TGACR018
GW 3/4" – Ø15	Satin	TGAST014



Adapter for copper – M22x1,5

Colour Options: ●●●

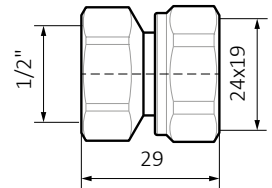
Size	Colour	Product code
GW M22x1,5 – Ø15	Chrome	TGACR006
GW M22x1,5 – Ø15	Satin	TGAST006
GW M22x1,5 – Ø15	Black matt	TGACM004



Adapter for steel – 24x19

Colour Options:

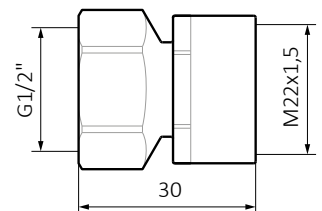
Size	Colour	Product code
GW 24x19 – GW 1/2"	Chrome	TGACR007
GW 24x19 – GW 1/2"	Satin	TGAST007



Adapter for steel – M22x1,5

Colour Options:

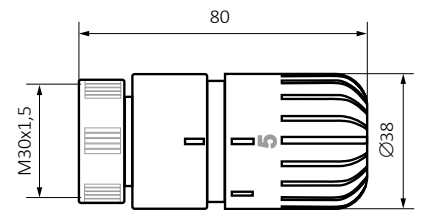
Size	Colour	Product code
GW M22x1,5 – GW 1/2"	Chrome	TGACR012
GW M22x1,5 – GW 1/2"	Satin	TGAST012



ETNA thermostatic head

Colour Options: ○ ●

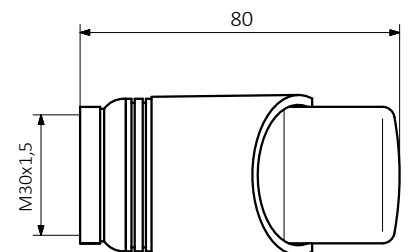
Size	Colour	Product code
M30x1,5	White	TGGBI002
M30x1,5	Chrome	TGGCR002



NOBLE thermostatic head

Colour Options: ○ ● ● ● ●

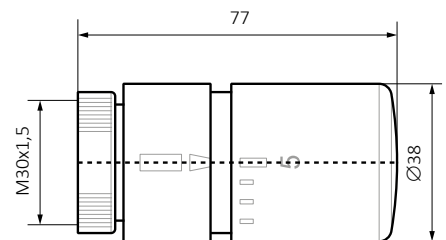
Size	Colour	Product code
M30x1,5	White	TGGBI007
M30x1,5	Chrome	TGGCR004
M30x1,5	Satin	TGGST002
M30x1,5	Black matt	TGGCM002
M30x1,5	Black gloss	TGGCZ001



SLIM thermostatic head

Colour Options: ○ ● ○ ● ●

Size	Colour	Product code
M30x1,5	White	TGGBI001
M30x1,5	Chrome	TGGCR001
M30x1,5	Satin	TGGST001
M30x1,5	Black matt	TGGCM001
M30x1,5	Black gloss	TGGCZ002

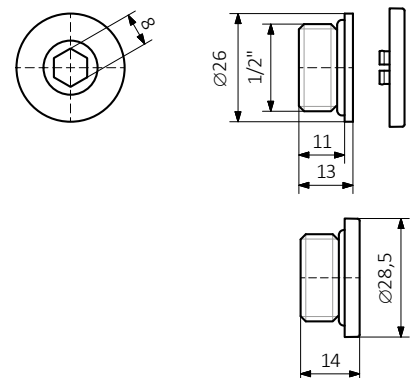


Blank plug with concealing cover

Available versions:

Colour Options: ● ○

Size	Colour	Product code
GZ 1/2"	Chrome	WRZK001-CR
GZ 1/2"	White	WRZK001-BI

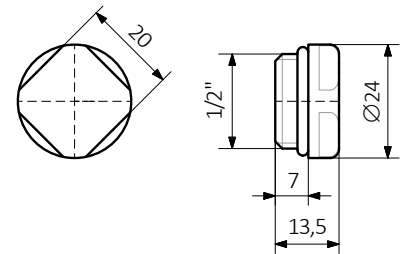


Blank plug

Available versions:

Colour Options: ●

Size	Colour	Product code
GZ 1/2"	Chrome	MMEHYKR0001



Nut spacer

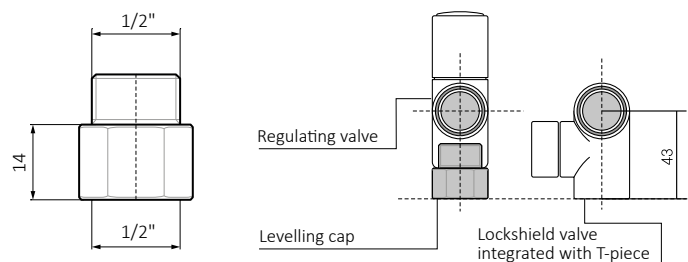
Available versions:

Colour Options: ●●

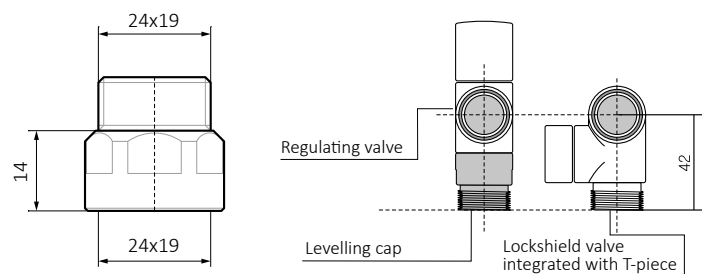
Size	Colour	Product code
GW 1/2" - GZ 1/2"	Chrome	TGUCR001
GW 1/2" - GZ 1/2"	Satin	TGUST001
GW 24x19 - GZ 24x19	Chrome	TGUCR002
GW 24x19 - GZ 24x19	Satin	TGUST002



Size 1/2"



Size 24x19



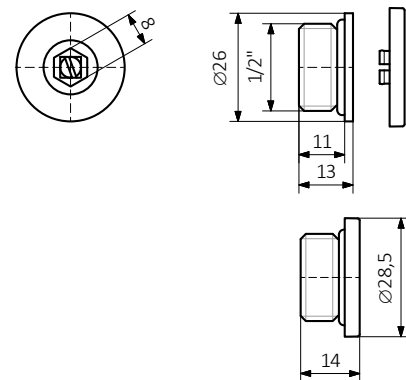
Bleed valve

Colour Options: ● ○ ●

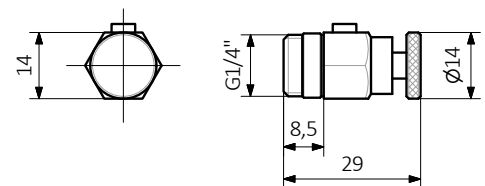
Size	Colour	Product code
GZ 1/2"	Chrome	WRZO001-CR
GZ 1/2"	Biały	WRZO001-BI
GZ 1/4"	Nickel	MMEHYOD0005



Size 1/2"



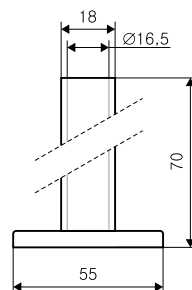
Size 1/4"



Pipe masking set – 70 mm

Colour Options: ○ ● ● ● ●

Size	Colour	Product code
Ø18/Ø55/L70 mm	Chrome	TGPCR001
Ø18/Ø55/L70 mm	Satin	TGPST001
Ø18/Ø55/L70 mm	White	TGPBI001
Ø18/Ø55/L70 mm	Black matt	TGPCM001
Ø18/Ø55/L70 mm	Black gloss	TGPCZ001



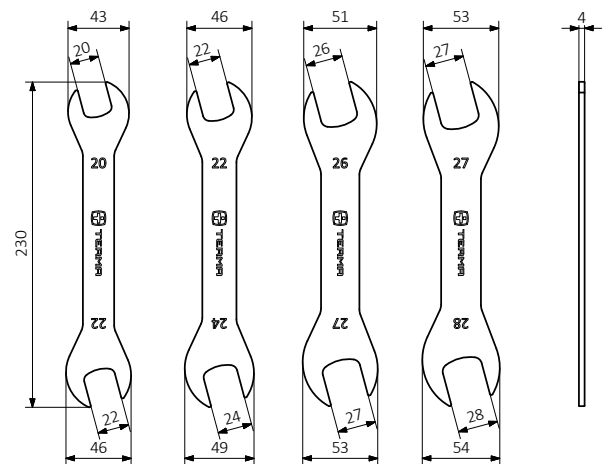
TERMA special spanner set

Terma special spanner set for radiator and heating element fitting.

Type: flat, two-sided

Size: 20-22, 22-24, 26-27, 27-28

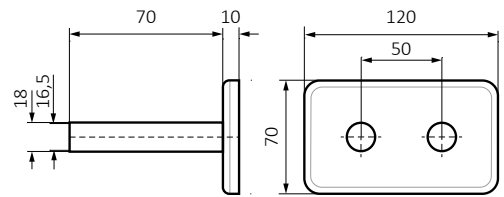
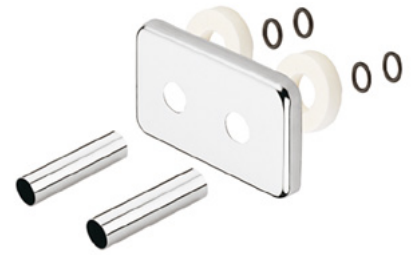
Size	Product code
20-22, 22-24, 26-27, 27-28	WRNKPS0001



Integrated pipe masking set

Colour Options: ○ ● ● ● ● ●

Size	Colour	Product code
50 mm	Chrome	TGPCR002
50 mm	Satin	TGPST003
50 mm	White	TGPBI005
50 mm	Black matt	TGPCM002
50 mm	Black gloss	TGPCZ002



Brush

Material: beech and natural bristles

Size	Product code
1000 mm	TGI007

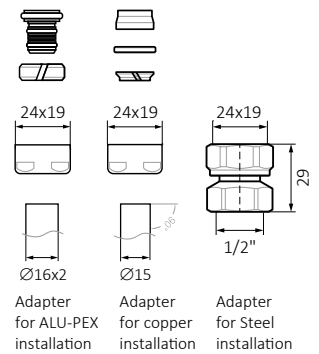
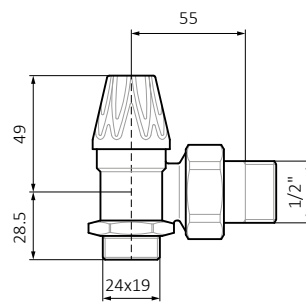
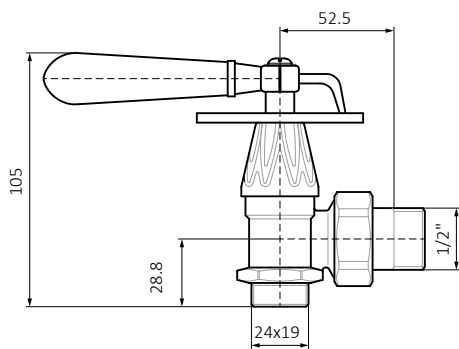
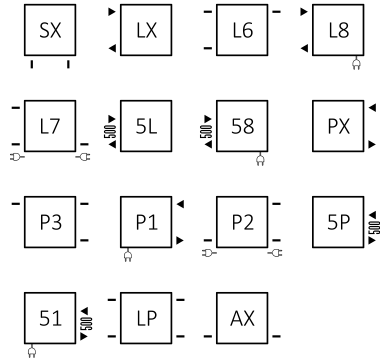


Cast iron radiator valve sets and accessories

CLASSIC ART manual angled valve

Colour Options: ● ● ●

Connections:

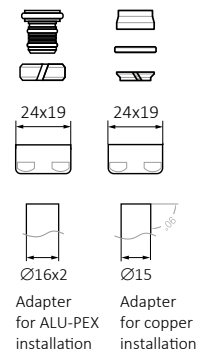
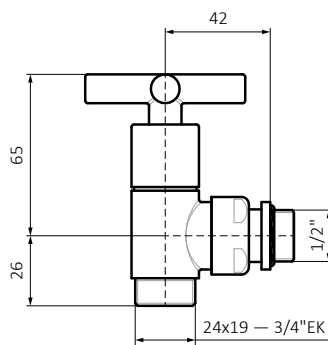
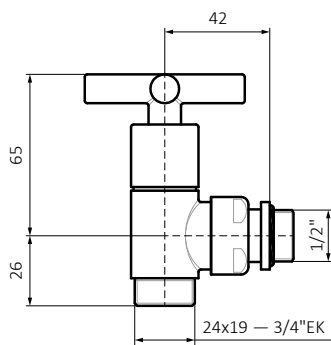
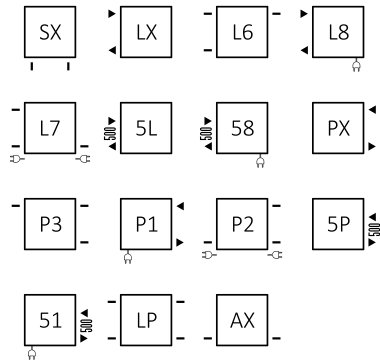


Size	Colour	Product code <small>*Configuration code p. 791</small>
GZ 1/2"-Ø16x2, Ø15, GW 1/2"	anthracite	TGERANT01
GZ 1/2"-Ø16x2, Ø15, GW 1/2"	brushed bronze	TGERANT03
GZ 1/2"-Ø16x2, Ø15, GW 1/2"	Matching radiator colour (RAL & Terma Cast Iron Special Colours)	WRZRAW01*

MINIMALIST manual angled valve set

Colour Options: 

Connections:

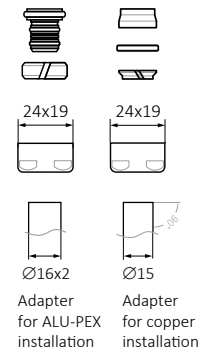
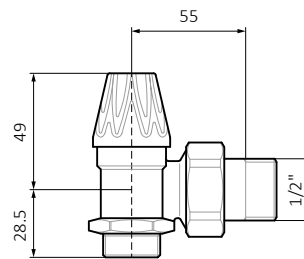
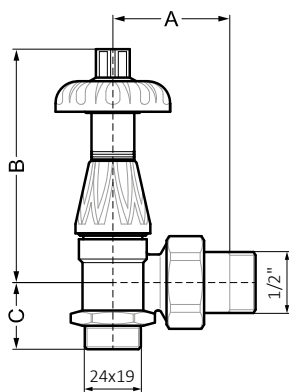
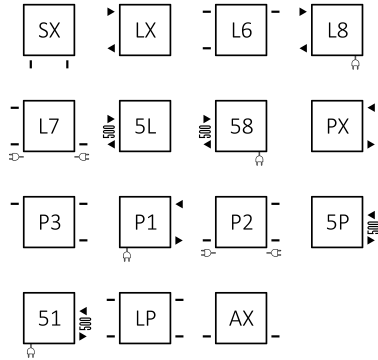


Size	Colour	Product code
GZ 1/2" - Ø16x2, Ø15	anthracite	TGERAN002
GZ 1/2" - Ø16x2, Ø15	brushed bronze	TGERBR002
GZ 1/2" - Ø16x2, Ø15	brushed copper	TGERME003
GZ 1/2" - Ø16x2, Ø15	satin nickel	TGERST005
GZ 1/2" - Ø16x2, Ø15	chrome	TGZRCR017
GZ 1/2" - Ø16x2, Ø15	Matching radiator colour (RAL & Terma Cast Iron Special Colours)	WRZRAW03*

ARTISTIC thermostatic angled valve set

Colour Options: ●●●

Connections:

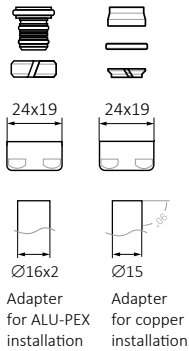
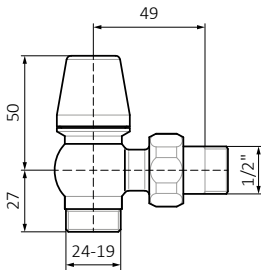
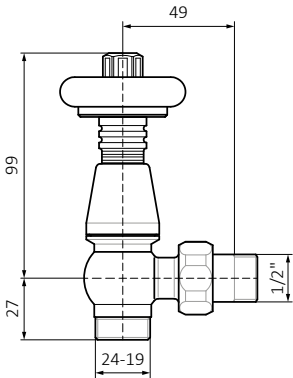
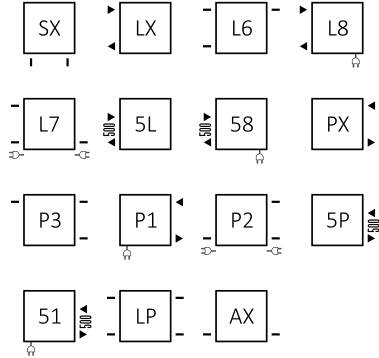


Size	Colour	Product code <small>*Configuration code p. 791</small>
GZ 1/2" - Ø16x2, Ø15	anthracite	TGETAN002
GZ 1/2" - Ø16x2, Ø15	brushed bronze	TGETBR003
GZ 1/2" - Ø16x2, Ø15	Matching radiator colour (RAL & Terma Cast Iron Special Colours)	WRZTKAR01*

WOOD thermostatic angled valve set

Colour Options: ● ● ● ●

Connections:

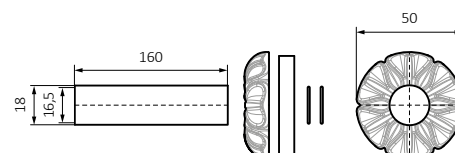


Size	Colour	Product code
GZ 1/2" - Ø16x2, Ø15	brushed bronze	TGETBR002
GZ 1/2" - Ø16x2, Ø15	satin nickel	TGETST005
GZ 1/2" - Ø16x2, Ø15	brushed copper	TGETME001

ARTISTIC pipe masking set

Colour Options: ●●

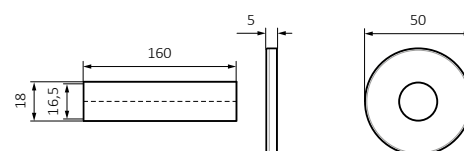
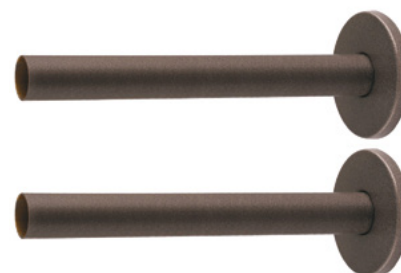
Size	Colour	Product code
		<i>*Configuration code p. 791</i>
Ø18/Ø50/L160	anthracite	TGPAN001
Ø18/Ø50/L160	brushed bronze	TGPBR001
Ø18/Ø50/L160	Matching radiator colour (RAL & Terma Cast Iron Special Colours)	WRMRAW01*



Pipe masking set – 160 mm

Colour Options: ●●●●○●●

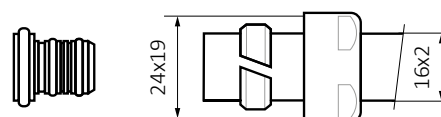
Size	Colour	Product code
		<i>*Configuration code p. 791</i>
Ø18/Ø50/L160	brushed bronze	TGPBR002
Ø18/Ø50/L160	brushed copper	TGPME001
Ø18/Ø50/L160	satin nickel	TGPNI001
Ø18/Ø50/L160	anthracite	TGPAN002
Ø18/Ø50/L160	white	TGPBI001
Ø18/Ø50/L160	brass	TGPMS001
Ø18/Ø50/L160	chrome	TGPCR004
Ø18/Ø50/L160	Matching radiator colour (RAL & Terma Cast Iron Special Colours)	WRMRAW02*



AluPEX adapter reducer – 24 × 19

Colour Options: 

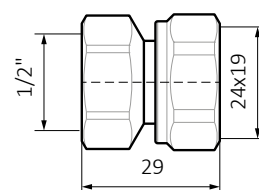
Size	Colour	Product code <small>*Configuration code p. 791</small>
GW 24-19-Ø16x2	satin nickel	TGAST019
GW 24-19-Ø16x2	brushed bronze	TGABS006
GW 24-19-Ø16x2	anthracite	TGAAN001
GW 24-19-Ø16x2	brushed copper	TGAME001
GW 24-19-Ø16x2	brass	TGAMS001
GW 24-19-Ø16x2	Matching radiator colour (RAL & Terma Cast Iron Special Colours)	WRAADAP01*




Steel adapter reducer – 24 × 19

Colour Options: 

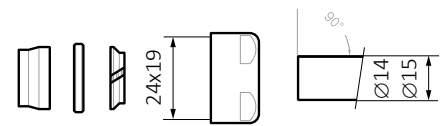
Size	Colour	Product code <small>*Configuration code p. 791</small>
GW 24-19-GW 1/2"	satin nickel	TGAST020
GW 24-19-GW 1/2"	brushed bronze	TGABS005
GW 24-19-GW 1/2"	anthracite	TGAAN003
GW 24-19-GW 1/2"	brushed copper	TGAME003
GW 24-19-GW 1/2"	brass	TGAMS003
GW 24-19-GW 1/2"	Matching radiator colour (RAL & Terma Cast Iron Special Colours)	WRAADAP02*



Copper adapter reducer – 24×19

Colour Options: 

Size	Colour	Product code <small>*Configuration code p. 791</small>
GW 24-19-Ø15	satın nickel	TGAST018
GW 24-19-Ø15	brushed bronze	TGABS003
GW 24-19-Ø15	anthracite	TGAAN002
GW 24-19-Ø15	brushed copper	TGAME002
GW 24-19-Ø15	brass	TGAMS002
GW 24-19-Ø15	Matching radiator colour (RAL & Terma Cast Iron Special Colours)	WRAADAP03*



Bleed valve

Colour Options: 

Size	Colour	Product code <small>*Configuration code p. 791</small>
1/2"	anthracite	MMEHYOD0008
1/2"	bronze	MMEHYOD0009
1/2"	Matching radiator colour (RAL & Terma Cast Iron Special Colours)	PLVODP01*

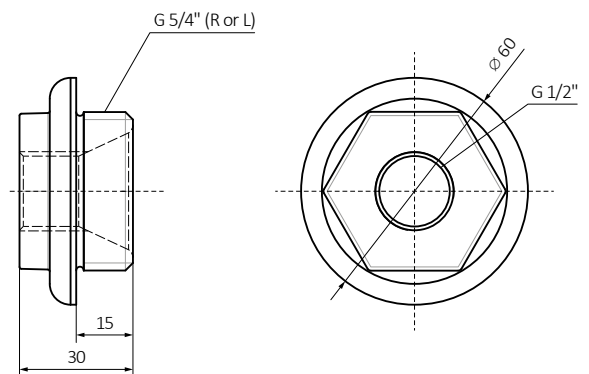


Reducing bush 5/4" × 1/2"

Matching radiator colour

Size	Thread	Product code
5/4"	left	PLVKOR-Z01
5/4"	right	PLVKOR-Z02

Configuration code p. 791

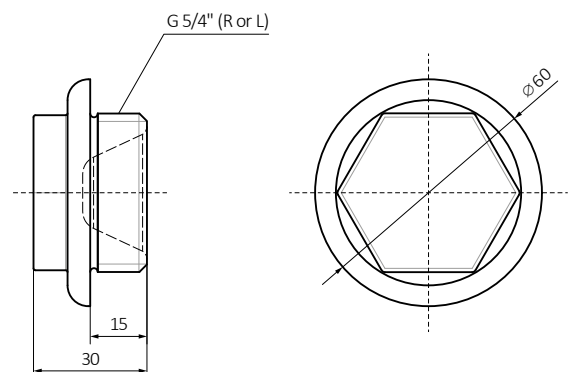


Blanking plug 5/4"

Matching radiator colour

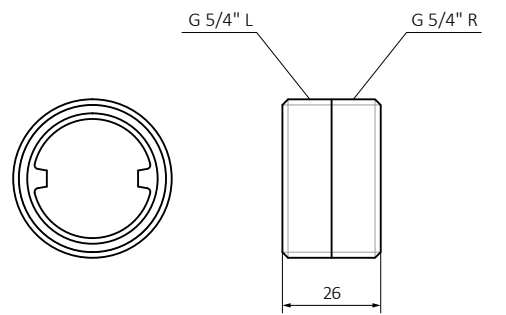
Size	Thread	Product code
5/4"	left	PLVKOR-Z03
5/4"	right	PLVKOR-Z04

Configuration code p. 791



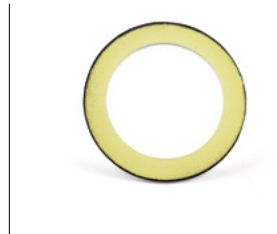
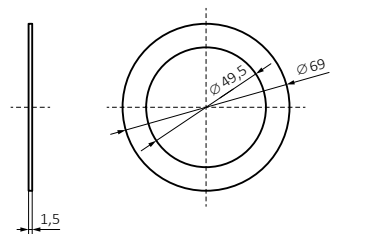
Joining nipple 5/4"

type	Product code
cast iron	MMECSGZ0011
steel	MMECSGZ0018



Gasket for cast iron

Size	Product code
5/4"; gr.1,5 mm	MTSININ0053

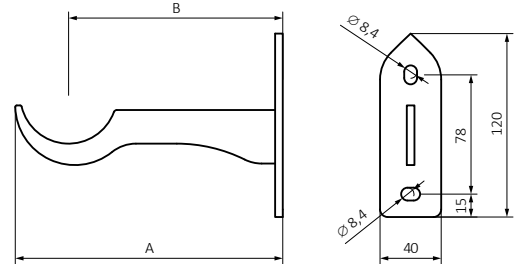


Cast iron radiator wall bracket

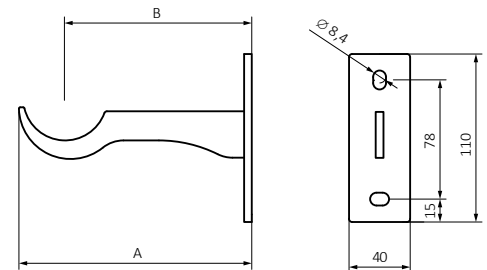
Radiator	A [mm]	B [mm]	Colour	Product code <small>Configuration code p. 791</small>
Oxford, Plain 3 Column	190	155	Matching radiator colour (RAL & Terma Cast Iron Special Colours)	PLV-HAK-220
Plain, Kaszub	175	140	Matching radiator colour (RAL & Terma Cast Iron Special Colours)	PLV-HAK-180
Bart	120	86	Matching radiator colour (RAL & Terma Cast Iron Special Colours)	PLV-HAK-070



Oxford, Plain and Kaszub

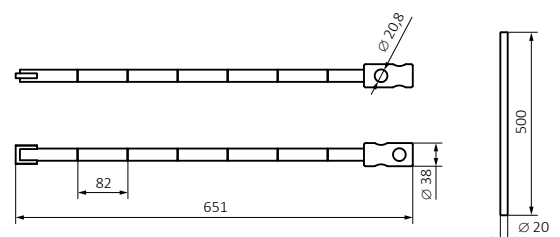


Bart



Cast iron radiator joining key

Colour	Product code
800 mm (10 sections x 80 mm)	WRNGZ600



Heating elements

ONE s. 724



Compliant with the EU directives:
2009/125/WE and 2015/1188



photo: chrome, spiral cable

Functionality

The ONE heating element allows you to set two temperature levels. A sensitive electronic sensor allows the device to maintain the set temperature. The device shows the current mode using a multi-coloured LED. The heating element is characterized with a very low power consumption in standby mode.

Timer

The timer automatically turns the heating element off after 2 hours.

Remote Control

The heating element is capable of wireless IR communication with an external wall controller, which enhances the use of the ONE heating element with additional features. For information on TTIR and DTIR IR controllers see pages 758 and 760.

Intelligent Building Systems

In the event of a power failure, the heating element remembers the previous setting (last setting used), which is useful when the device is controlled by external timers and intelligent building systems.

Safety

The ONE heating element is equipped with a number of safety features including; a 'frost' protection setting (ANTIFREEZE), a double protection against overheating and an 'active' protection to prevent overheating when used in a dry radiator. Device displays a warning in case of malfunction

Design

The heating element has a metal housing available in chrome or powder coated finish. It is available in four shapes designed to match radiator collectors. The heating element has a single hidden button to activate and change

the settings. There are radiators available with the ONE integrated into the radiator where the only part of the ONE that is visible is the status indicator. See the Radiators section.

Colour

Available colours: RAL, Terma special colours and chrome



KTX 4

① s. 728



Compliant with the EU directives:
2009/125/WE and 2015/1188



photo: chrome, straight cable

Functionality

The KTX 4 has 5 temperature settings that range from 30°C to 60°C. An electronic sensor guarantees precise temperature control. The device displays the currently set temperature level and indicates the status of the heating cycle or standby state. The KTX 4 is designed for use with the TS 1 heating element. The unique feature of the KTX range of heating elements is the Terma-Split System. The Terma-Split connector makes it possible to disconnect the TS 1 from the controller head. More information on the TS 1 can be found on page 726. The KTX 4 is also equipped with actual heating time counter for energy consumption calculations.

Timer

An enhanced timer automatically turns the heating element off after 1, 2, 3 or 4 hours.

Remote Control

The heater is capable of wireless IR communication with an external wall controller, which enhances the use of the heating element with additional features. Information on the TTIR and DTIR IR controllers can be found on pages 758 and 760.

Intelligent Building Systems

In case of power loss the KTX 4 remembers its settings making it suitable for connection with external timers and intelligent building systems.

Safety

The KTX 4 is equipped with a 'frost' protection (ANTIFREEZE). It also has double protection against the element overheating as well as a safety feature that prevents damage in case of operation in a dry radiator. A device error or malfunction is identified by a display of error codes.

Design

Equipped with an easy to read single digit LED display in blue. A version without a cable (a terminal block under a masking cover with an on/off switch) is also available.

Colour

Available colours: white, silver, chrome and black. The heating element can also be offered in any RAL colour and Terma special colours (including brass and gold) subject to a minimum order of 100 pcs per colour.



KTX 4 BLUE s. 730



Compliant with the EU directives:
2009/125/WE and 2015/1188



photo: silver, coiled cable

Functionality

The heating element can be fully controlled through the BLUE-Line control mobile application. The mobile application allows you to control both the temperature of the radiator (30-60° C) and the room temperature (15-30° C); program any number of 7-day schedules; program advanced timer. The buttons on the controller's housing allow you to set the operating temperature in a simplified way or run a simplified Timer (up to 4 hours). The device displays the currently set temperature level and indicates the status of the heating cycle or standby mode. The KTX 4 is designed to use with the TS 1 heating element. The unique feature of the KTX range of heating elements is the Terma-Split System. The Terma-Split connector makes it possible to disconnect the TS 1 from the controller head. More information on the TS 1 can be found on page 726. The KTX 4 is also equipped

with actual heating time counter for energy consumption calculations.

Remote Control

Any portable device, smartphone or tablet, with Bluetooth® can be used for remote control. BLUE-Line control mobile application for Android and iOS is available via Google Play® or Apple Store®. With one mobile device, it is possible to program and control any number of BLUE devices (radiator and heating elements) within range of the mobile device.

Intelligent Building Systems

In case of power loss the KTX4 remembers its settings making it suitable for connection with external timers and intelligent building systems*.

Safety

The KTX 4 is equipped with a 'frost' protection (ANTIFREEZE). It also has double protection against the element overheating as well as a safety feature that prevents damage in case of operation in a dry radiator. A device error or malfunction is identified by a display of error codes.

Design

Equipped with an easy to read single digit LED display in blue.

Colour

Available colours: white, silver, chrome and black. Fascia always comes in silver regardless of the housing colour. The heating element can also be offered in any RAL colour and Terma special colours (including brass and gold) subject to a minimum order of 100 pcs per colour.



KTX 3 s. 732



photo: white, terminal block under a masking cover

Functionality

The KTX 3 offers adjustable temperature levels ranging from 30°C to 60°C in steps of 1°C. An electronic temperature sensor guarantees precise temperature control. The device displays the current set temperature level and indicates the status of the heating cycle or standby state. It also has an easy interface for controller programming. The KTX 3 is designed for use with the TS 1 heating element. The unique feature of the KTX range of heating elements is the Terma-Split System. The Terma-Split connector makes it possible to disconnect the TS 1 from the controller head. More information on the TS 1 can be found on page 726.

Daily Timer

A 24-hour timer allows you to program up to 4 intervals for heating at a preselected tem-

perature or to switch between heating and power off states.

Dryer Function

A function that allows a controlled temperature and drying time, after which the heater will return back to its previous state.

Intelligent Building Systems

In the event of a power failure, the heating element remembers the previous setting (last setting used), which is useful when the device is controlled by external timers and intelligent building systems.

Safety

The KTX 3 is equipped with a 'frost' protection (ANTIFREEZE). It also has double protection against the heating element overheating. A device error or malfunction is identified by

a display of error codes. The KTX 3 also has an additional safety feature that prevents it from working in a dry radiator.

Design

Equipped with an easy to read LCD display with a clock. A version without a cable (a terminal block under a masking cover with an on/off switch) is also available.

Colour

Available colours: white, silver, chrome and black. The heating element can also be offered in any RAL colour and Terma special colours (including brass and gold) subject to a minimum order of 100 pcs per colour.



KTX 2

① s. 734



photo: black, spiral cable

Functionality

This KTX 2 has a five step temperature control which ranges from 30°C to 60°C. An electronic temperature sensor ensures precise temperature control. The device displays its current temperature setting. The KTX 2 is designed for use with the TS 1 heating element. The unique feature of the KTX range of heating elements is the Terma-Split System. The Terma-Split connector makes it possible to disconnect the TS 1 from the controller head. More information on the TS 1 can be found on page 726.

Timer

The KTX 2 heating element has a 2-hour timer with two working modes. One mode is used while the KTX 2 is active and heating. In this mode the KTX 2 will maintain the previously set temperature and then switch itself off

after 2 hours. The second mode can be used to turn the KTX 2 on (when previously off) for a period of 2 hours, following these 2 hours the KTX 2 will turn off.

Intelligent Building Systems

The KTX 2 remembers its previous settings even when the power supply is lost. It is therefore suitable to be used with external timers or intelligent building systems.

Safety

The KTX 2 is equipped with 'frost' protection (ANTIFREEZE). It has a double protection against overheating of the radiator and displays a warning in case of malfunction.

Design

The KTX 2 heating element has an easy to use interface. A version without a cable (a terminal block under a masking cover with an on/off switch) is also available.

Colour

Available colours: white, silver, chrome and black. The heating element can also be offered in any RAL colour and Terma special colours (including brass and gold) subject to a minimum order of 100 pcs per colour.



KTX 1 s. 736



photo: silver, spiral cable

Functionality

The KTX 1 has two settings: 50% and 100% of the nominal power. It is designed for use with the TS 1 heating element. The unique feature of the KTX range of heating elements is the Terma-Split System. The Terma-Split connector makes it possible to disconnect the TS 1 from the controller head. More information on the TS 1 can be found on page 726.

Intelligent Building Systems

In the event of a power failure the heater remembers its setting (last setting used), which is useful when the device is controlled by external timers and intelligent building systems.

Safety

The KTX 1 is equipped with 'frost' protection (ANTIFREEZE). It has a double protection against overheating of the radiator. The heating element displays warning indicators in case of malfunction.

Design

The KTX 1 has large, ergonomic buttons. A version without a cable (a terminal block under a masking cover with an on/off switch) is also available.

Colour

Available colours: white, silver, chrome and black. The heating element can also be offered in any RAL colour and Terma special colours (including brass and gold) subject to a minimum order of 100 pcs per colour.



MOA s. 738



photo: chrome, straight cable

Functionality

The MOA offers 5 temperature settings ranging from 30°C to 60°C. It is equipped with an electronic temperature sensor that guarantees precise temperature control. The MOA displays the currently set temperature level and the status of the heating cycle using an LED indicator. The heating element has a very low power consumption in a standby mode.

Dryer Function

This function allows the setting of a higher heating power for two hours, after which the device returns to the previous state.

Intelligent Building Systems

In the event of a power failure the MOA remembers its previous settings therefore making it suitable for connection to external timers and intelligent building systems.

Safety

The MOA is equipped with 'frost' protection (ANTIFREEZE). It also has a double protection against overheating of the radiator and displays a warning in case of malfunction. It has an active safety feature in case of operation in a dry radiator.

Design

The MOA version with a straight cable without a plug, is also available with a cable-masking cover option.

Colour

Available colours: white, silver, chrome and black. The heating element can also be offered in any RAL colour and Terma special colours (including brass and gold) subject to a minimum order of 100 pcs per colour.



MOA IR s. 740



Compliant with the EU directives:
2009/125/WE and 2015/1188



photo: silver, straight cable

Functionality

MOA offers 5 temperature settings ranging from 30°C to 60°C. It is equipped with an electronic temperature sensor that guarantees precise temperature control. MOA displays the currently set temperature level and the status of the heating cycle using illuminated diodes. The heating element has a very low power consumption in a standby mode.

Dryer Function

This function allows the setting of a higher heating power for two hours, after which the device returns to the previous state.

Remote Control

The heating element is capable of wireless IR communication with an external wall controller DTIR or TTIR, which enhances the use of the heating element with additional features. Information on the TTIR and DTIR IR controllers can be found on pages 758 and 760.

Intelligent Building Systems

In the event of a power failure the MOA remembers its previous settings therefore making it suitable for connection to external timers and intelligent building systems.

Safety

MOA is equipped with frost protection (ANTIFREEZE). It has a double protection against overheating of the radiator and an active safety feature in case of operation in a dry radiator. It displays warning indications in case of malfunction.

Design

MOA version with a straight cable and without a plug, is also available with an optional cable masking cover.

Colour

Available housing colours: white, silver, chrome and black. The front fascia always in black colour. Heating element can also be offered in any RAL colour and Terma special colours (including brass and gold) subject to a minimum order of 100 pcs per colour.



MOA BLUE ① s. 742



Compliant with the EU directives:
2009/125/WE and 2015/1188



photo: Colour in der Abbildung: silber / straight cable

Functionality

The BLUE-Line control app offers full control and functionality of the heating element. It allows you to control both the internal temperature of the radiator (30-60°C) or the ambient room temperature (15-30°C). In addition it offers full 7 day timer functionality, where you can program any number of heating schedules throughout each day as required. Buttons on the control head of the element allow the user to set the temperature in a simplified way or run 2 Hour Drying Function. The app shows the selected temperature level and the element indicates the operation mode in use such as timer, weekly schedule mode or Bluetooth communication with the device control.

Remote Control

You can use any portable device such as a Bluetooth® enabled smartphone or a tablet to control the heating element remotely. The BLUE-Line control app for Android and iOS is available at their respective online stores. One application can program and control any number of BLUE series devices (heating elements and radiators) within reach of the mobile device.

Safety

MOA is equipped with frost protection (ANTI-FREEZE). It also has double protection against overheating of the radiator. It displays warning indicators in case of malfunction.

Design

Blue LEDs signify the current operating temperature and an RGB LED signals current mode of operation.

Colour

Available in: white, silver, chrome and black. The front fascia always in Silver colour. Heating element can also be offered in any RAL colour and Terma special colours (including brass and gold) subject to a minimum order of 100 pcs per colour.



DRY s. 744



photo: silver, straight cable

Functionality

Thanks to an electronic sensor the DRY heating element maintains a constant temperature of 48°C. It also has the ability to be programmed further to different temperature levels. The heating element has a very low power consumption in a standby mode.

Timer

An enhanced timer automatically turns the heating element off after 1, 2, 3, 4 or 5 hours.

Intelligent Building Systems

In the event of a power failure the DRY remembers its previous settings therefore making it suitable for connection to external timers and intelligent building systems.

Safety

In the event of a power failure the DRY remembers its previous settings therefore making it suitable for connection to external timers and intelligent building systems.

Design

The heating element is equipped with 'frost' protection (ANTIFREEZE). It has a double protection against overheating of the radiator. The DRY displays a warning in case of malfunction. It has an active safety feature in case of operation in a dry radiator.

Colour

Available housing colours: white, silver, chrome and black. The front fascia always in black colour. The DRY can also be offered in any RAL colour and Terma special colours (including brass and gold) subject to a minimum order of 100 pcs per colour.





photo: chrome, straight cable

Functionality

The TDY offers 3 temperature settings ranging from 40°C to 60°C. It is equipped with an electronic temperature sensor that guarantees precise temperature control. The heating element has a very low power consumption in a standby mode.

Automatic power-off function

Automatic Timer sets the operating time between 60 - 180 minutes (default setting is 120 minutes). The clear display shows time left until automatic switch off. NOTE: No continuous operation possible. While the heating element is on, the heating temperature can be adjusted according to one's preference.

Safety

The TDY is equipped with 'frost' protection (ANTIFREEZE). It also has a double protection against overheating of the radiator and displays a warning in case of malfunction. It has an active safety feature in case of operation in a dry radiator.

Design

The TDY is supplied with a straight cable without a plug, it is also available with a cable-masking cover as an optional extra.

Colour

Available colours: white, silver, chrome and black. The heating element can also be offered in any RAL colour and Terma special colours (including brass and gold) subject to a minimum order of 100 pcs per colour.



MEG s. 748



photo: chrome, spiral cable

Functionality

The MEG heating element offers 5 temperature settings ranging from 30°C to 60°C. An electronic temperature sensor guarantees precise temperature control. The device displays the currently set temperature level and indicates the status of the heating cycle.

Intelligent Building Systems

In the event of a power failure the MEG remembers its previous settings therefore making it suitable for connection to external timers and intelligent building systems.

Safety

The MEG heating element is equipped with 'frost' protection (ANTIFREEZE). It has a double protection against overheating of the radiator. The MEG also displays a warning in case of malfunction. It has an active safety feature in case of operation in a dry radiator.

Design

The MEG heating element is supplied with a straight cable without a plug. It is available with a cable-masking cover as an optional extra.

Colour

Available colours: white, silver, chrome and black. The MEG can also be offered in any RAL colour and Terma special colours (including brass and gold) subject to a minimum order of 100 pcs per colour.



REG 3

① s. 750



photo: white with grey ring, straight cable

Functionality

The REG 3 offers two temperature settings of 50°C and 65°C. It is equipped with a bi-metallic temperature sensor. The device displays currently set temperature level.

Intelligent Building Systems

The REG 3 is suitable for connection to external timers and intelligent building systems.

Safety

The REG 3 is equipped with a double protection against overheating of the radiator.

Design

The REG 3 has small controller housing in a universal shape reminiscent of a drop of water. It is controlled via a rotating ring-shaped switch that turns the heating element on and off and allows the selection of temperature settings.

Colour

Available colours: white with grey ring, silver with grey ring, silver with chrome ring, black with chrome ring. The heating element can also be offered in any RAL colour and Terma special colours (including brass and gold) subject to a minimum order of 100 pcs per colour.



REG 2 s. 752



photo: white, straight cable

Functionality

The REG 2 maintains a constant temperature of 65°C and is equipped with a bimetallic temperature sensor. A small, spherical controller indicates on/off operation by the display of an LED.

Intelligent Building Systems

The REG 2 is suitable for connection to external timers and intelligent building systems.

Safety

The REG 2 is equipped with a double protection against overheating of the radiator.

Design

The REG 2 is one of the smallest heating elements on the market. Its main objective is simplicity of use. It does not have an on/off switch on its housing so it must be activated externally either by a timer or switched fused spur. A version equipped with a plug with an on/off switch is available.

Colour

Available colours: white, silver, chrome and black. The heating element can also be offered in any RAL colour and Terma special colours (including brass and gold) subject to a minimum order of 100 pcs per colour.





SIM ⓘ s. 754

photo: straight cable

Functionality

The SIM is a basic, simple heating element. The SIM has built-in protection against overheating and is fitted with a bimetal temperature limiter. The device is available in a wide range of power outputs up to 1500 W.

Intelligent Building Systems

The SIM is suitable for connection to external timers and intelligent building systems.

Safety

The SIM has an exceptionally high degree of moisture ingress protection and is fitted with a thermal fuse to prevent overheating of the radiator.

Design

The SIM has a stainless steel housing. It does not have an on/off switch on its housing so it must be controlled externally either by a timer or switched fused spur. A version with a switch located on the plug is available.

Colour

Housing: stainless steel. Available cable colours: white or grey.

SPCS00023B
TERMA
14142206
W200 V230
CE IP67

Heating elements

Technical Information

Heating element comparison tool

	SIM	REG 3	REG 2	MEG	MOA	MOA IR	MOA Blue
adjustable parameter	radiator temp.	radiator temp.	radiator temp.	radiator temp.	radiator temp.	radiator temp. / room temp. ^{[1][2]}	radiator temp. / room temp.
work settings range / no. of settings	65°C/1	50-65°C/2	65°C / 1	30-60°C / 5	30-65°C / 5	30-65°C / 5	15-30°C / 5 ^[4] 30-60°C / 5 ^[4]
symmetrical casing – installation on the left or right side	✓	✓	✓	✓	✓	✓	✓
Type of mains connection	P/R	P/W/U	T/R	P/W/U	P/W/U	P/W/U	P/W/U
Device protection class	Class I	Class I	Class I	Class I	Class I	Class I	Class I
Ingress protection	IP67	IPx5	IPx5	IPx4	IPx5	IPx5	IPx5
Terma Split system	–	–	–	–	–	–	–
Electronic temperature sensor	–	–	–	✓	✓	✓	✓
Available wattages	100-1500 W	120-1200 W	120-1200 W	120-1200 W	120-1200 W	120-1200 W	120-1200 W
Timer / no. of timer settings	–	–	–	–	2h/1	2h/1	4h/48
24h timer	–	–	–	–	–	✓ ^[1]	✓
Weekly timer	–	–	–	–	–	✓ ^[2]	✓
Wireless communication technology	–	–	–	–	–	IR	BLE
Protection from operating in a dry radiator	–	–	–	✓	✓	✓	✓
Real time heating meter	–	–	–	–	–	–	–
Antifreeze	–	–	–	✓	✓	✓	✓
Double overheating protection (overheating and fire)	✓	✓	✓	✓	✓	✓	✓
Compliant with the EU directives: 2009/125/WE and 2015/1188	–	–	–	–	–	✓ ^[2]	✓

P – Straight cable without plug
 R – Straight cable with plug and switch
 S – Without cable (terminal block under a masking cover)
 T – Spiral cable with plug and switch
 U – Spiral cable with plug
 W – Straight cable with plug

DRY	TDY	KTX 1	KTX 2	KTX 3	KTX 4	KTX 4 Blue	One	DTIR	TTIR
radiator temp.	radiator temp.	Power output adjustment	radiator temp.	radiator temp.	radiator temp. / room temp. ^{[1][2]}	radiator temp. / room temp.	radiator temp. / room temp. ^{[1][2]}	room temp.	
48°C (42-60)	40-60° C / 3	50-100% / 2 ^[3]	30-60° C / 5	30-60° C / 30	30-60° C / 5	15-30° C / 5 ^[4] 30-60° C / 5 ^[4]	45-60° C / 2	5-30° C	10-30° C
✓	✓	✓	✓	✓	✓	✓	✓ ^[6]	–	–
P/W/U	P/W/U	P/W/U/S	P/W/U/S	P/W/U/S	P/W/U/S	P/W/U/S	P/W/U	–	–
Class I	Class I	Class I	Class I	Class I	Class I	Class I	Class I	Class III	
IPx5	IPx5	IPx4	IPx5 ^[7]	IPx5 ^[7]	IPx5 ^[7]	IPx5	IPx5	IP30	
–	–	✓	✓	✓	✓	✓	–	–	–
✓	✓	✓	✓	✓	✓	✓	✓	✓	
120-1200 W	120-1200 W	120-1000 W	120-1000 W	120-1000 W	120-1000 W	120-1000 W	120-1000 W	–	
5h/5	3h/5	–	2h/1	4h/8	4h/4	4h/48	2h/1	4h/16	4h/8
–	–	–	–	✓ ^[5]	✓ ^[1]	✓	✓ ^[2]	✓	–
–	–	–	–	–	✓ ^[2]	✓	✓ ^[2]	–	✓
–	–	–	–	–	IR	BLE	IR	IR	IR
✓	✓	–	–	✓	✓	✓	✓	–	
–	–	–	–	–	✓	✓	–	–	
✓	✓	✓	✓	✓	✓	✓	✓	✓	
✓	✓	✓	✓	✓	✓	✓	✓	–	
–	–	–	–	–	✓ ^[2]	✓	✓ ^[2]	–	

¹ Only if paired with DT-IR

² Only if paired with TT-IR

³ Power output adjustment 50%/100%

⁴ Bluetooth mobile app allows to adjust temp. with 1°C precision

⁵ Simplified day clock, 4 zones

⁶ Does not apply to One T and ONE D

⁷ If mains connection type is "S" then IPx4

Functions and features:

Functionality

The ONE heating element allows you to set two temperature levels. A sensitive electronic sensor allows the device to maintain the set temperature. The device shows the current mode using a multi-coloured LED. The heating element is characterized with a very low power consumption in standby mode.

Timer

The timer automatically turns the heating element off after 2 hours.

Remote Control

The heating element is capable of wireless IR communication with an external wall controller, which enhances the use of the ONE heating element with additional features. For information on TTIR and DTIR IR controllers see pages 758 and 760.

Intelligent Building Systems

In the event of a power failure, the heating element remembers the previous setting (last setting used), which is useful when the device is controlled by external timers and intelligent building systems.

Safety

The ONE heating element is equipped with a number of safety features including; a 'frost' protection setting (ANTIFREEZE), a double protection against overheating and an 'active' protection to prevent overheating when used in a dry radiator. Device displays a warning in case of malfunction

Design

The heating element has a metal housing available in chrome or powder coated finish. It is available in four shapes designed to match

radiator collectors. The heating element has a single hidden button to activate and change the settings. There are radiators available with the ONE integrated into the radiator where the only part of the ONE that is visible is the status indicator. See the Radiators section.

Colour

Available colours: RAL, Terma special colours and chrome

Specifications:

- Power supply: 230 V / 50 Hz
- Device protection class: Class I
- Radiator connection: G 1/2"
- Ingress protection [IP]: IPx5

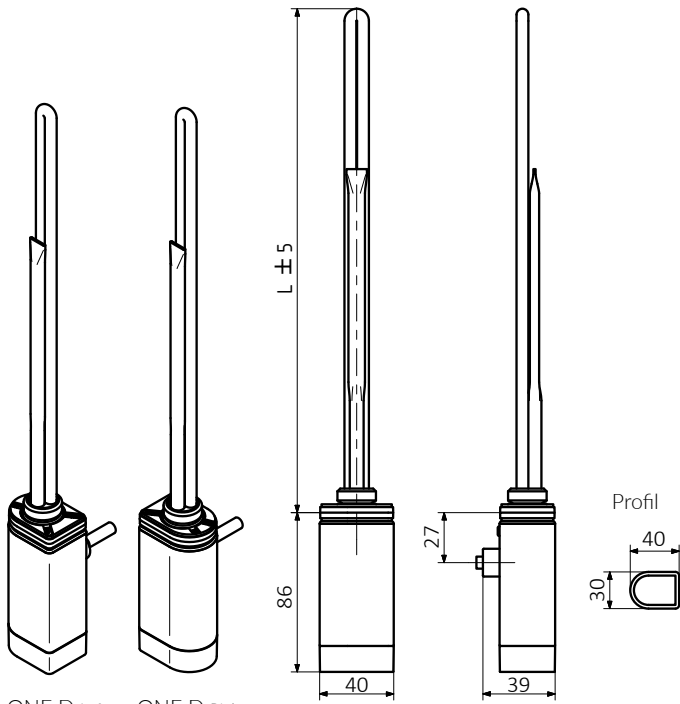
Configurations table:

Example of product code: **WE** **ODL** **04** **T** **CRO** **W**

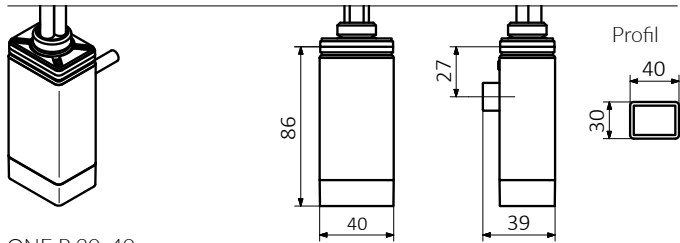


Code elements highlighted in blue.

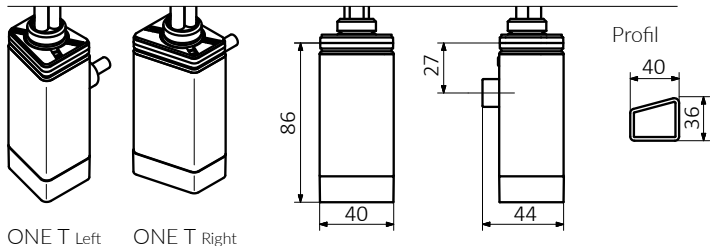
Model	Power [W]	Packaging	Colour	Cable Type
WE ODL ONE D Left	01 120	T Tube	916 White	P Straight cable without plug
ODP ONE D Right	02 200		CRO Chrome	W Straight cable with plug
OKX ONE 30x30	03 300		or any other colour shown on	U Spiral cable with plug
OPX ONE 30x40	04 400		p. 18	
OTL ONE T Left	06 600			
OTP ONE T Right	08 800			
	10 1000			



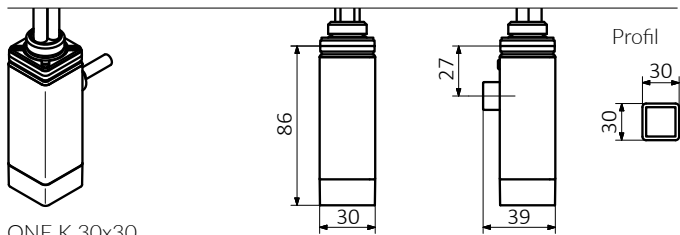
ONE D Left ONE D Right



ONE P 30x40

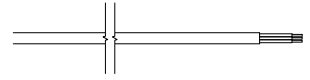


ONE T Left ONE T Right

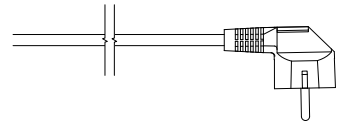


ONE K 30x30

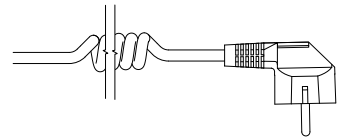
Straight cable without plug
(standard length 1,5 m)



Straight cable with plug
(standard length 1,5 m)



Spiral cable with plug
(standard length 2,5 m)



L [mm]	310	270	295	330	360	470	560
Power [w]	120	200	300	400	600	800	1000

Terma-Split TS 1

Functions and features:

The unique feature of the KTX range of heating elements is the Terma-Split System. The Terma-Split connector makes it possible to disconnect the TS 1 from the controller head. The TS 1 screws into the radiator and is tightened with a standard 24 mm spanner, then the controller can be fitted onto the Terma-Split connector. The connector is then hidden within the controller case.

- Easy and safe installation.
- The ability to remove the controller, e.g. for repair without a need to remove the TS 1.
- Easy positioning of the controller. The controller can be turned within a range of 340°, allowing the face to be always visible.
- Heating element power ranging from 120 to 1000 W with the ability to work with any of the KTX range of controllers.

Specifications:

Device protection class: Class I

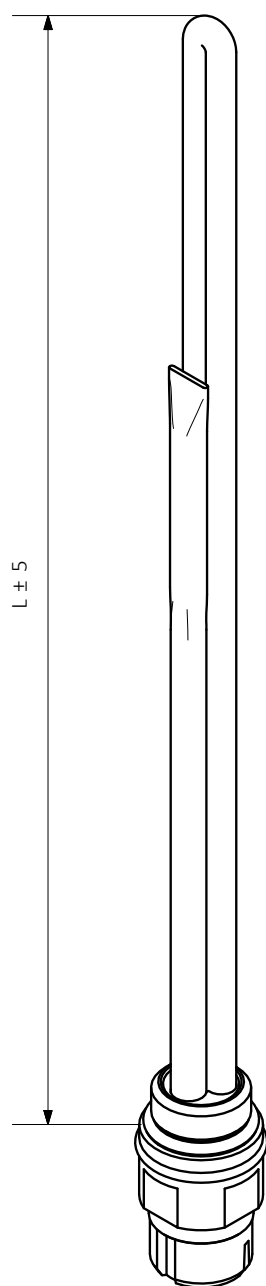
Power supply: 230 V / 50 Hz

Configurations table:

Example of product code: **WE** **TS1** **04** **K** **---** **D**

Code elements highlighted in blue.

Model	Power [W]	Packaging	Colour	Split connector
WE TS1 Terma Split	01 120	K Box	--- None	D Split connector Class I
	02 200			
	03 300			
	04 400			
	06 600			
	08 800			
	10 1000			



L [mm]	325	285	310	345	375	485	575
Power [W]	120	200	300	400	600	800	1000

Functions and features:

Functionality

The KTX 4 has 5 temperature settings that range from 30°C to 60°C. An electronic sensor guarantees precise temperature control. The device displays the currently set temperature level and indicates the status of the heating cycle or standby state. The KTX 4 is designed for use with the TS 1 heating element. The unique feature of the KTX range of heating elements is the Terma-Split System. The Terma-Split connector makes it possible to disconnect the TS 1 from the controller head. More information on the TS 1 can be found on page 726. The KTX 4 is also equipped with actual heating time counter for energy consumption calculations.

Timer

An enhanced timer automatically turns the heating element off after 1, 2, 3 or 4 hours.

Remote Control

The heater is capable of wireless IR communication with an external wall controller, which enhances the use of the heating element with additional features. Information on the TTIR and DTIR IR controllers can be found on pages 758 and 760.

Intelligent Building Systems

In case of power loss the KTX 4 remembers its settings making it suitable for connection with external timers and intelligent building systems.

Safety

The KTX 4 is equipped with a 'frost' protection (ANTIFREEZE). It also has double protection against the element overheating as well as a safety feature that prevents damage in case of operation in a dry radiator. A device error or malfunction is identified by a display of error codes.

Design

Equipped with an easy to read single digit LED display in blue. A version without a cable (a terminal block under a masking cover with an on/off switch) is also available.

Colour

Available colours: white, silver, chrome and black. The heating element can also be offered in any RAL colour and Terma special colours (including brass and gold) subject to a minimum order of 100 pcs per colour.

Specifications:

Power supply:	230 V / 50 Hz
Heating element:	Terma Split I
Device protection class:	Class I
Radiator connection:	G 1/2"
Ingress protection [IP]:	IPx4: MS version (with terminal block); IPx5: Version with cable

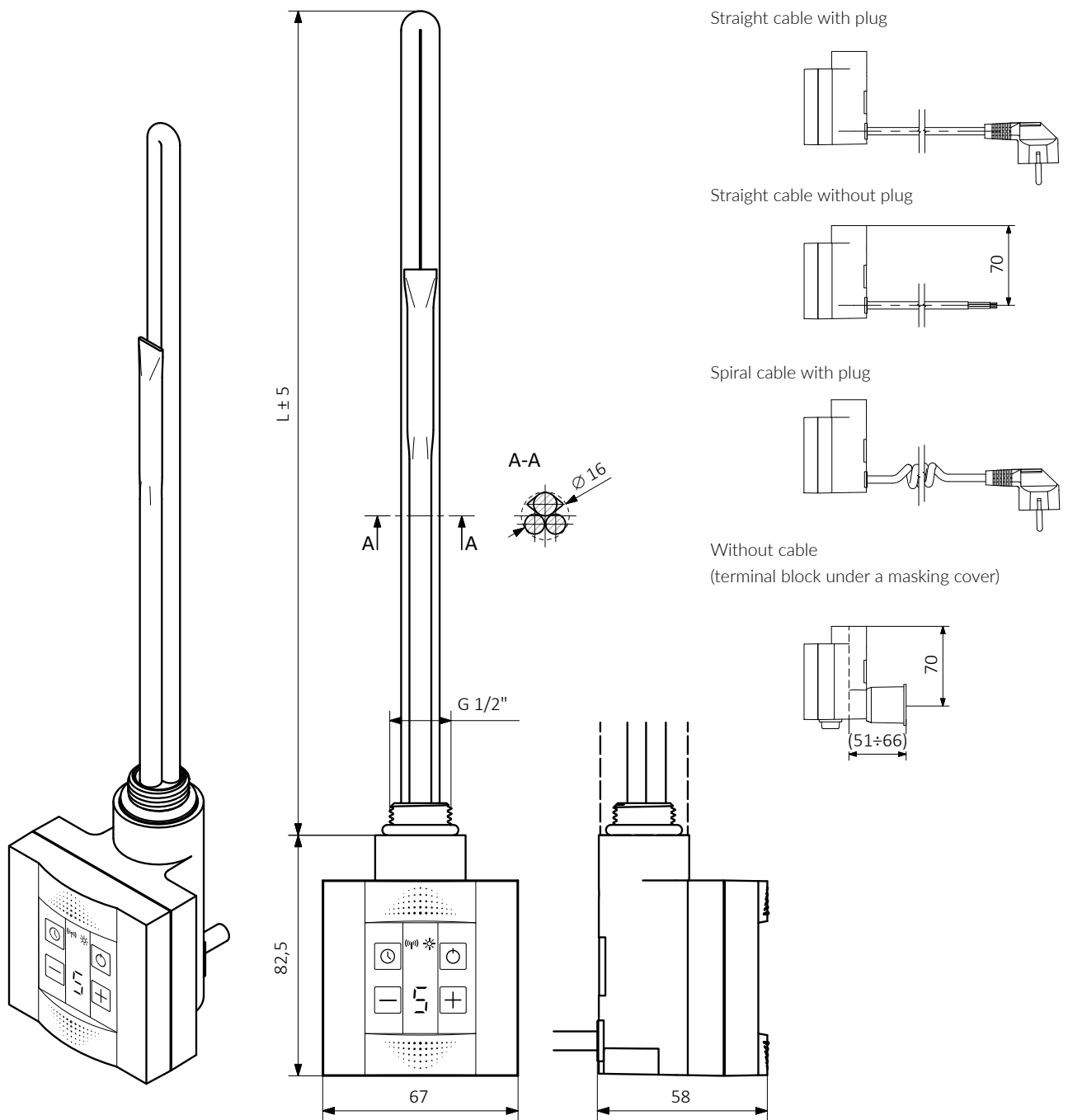
Configurations table:

Example of product code: **WE**KT4TSMAW



Code elements highlighted in blue.

Model	Power [W]	Packaging	Colour	Cable Type
WE KT4 KTX 4	- without the heating element	K Box	916 White	W Straight cable with plug
			SMA Silver	P Straight cable without plug
			CRO Chrome	U Spiral cable with plug
			905 Black	S Without cable (terminal block under a masking cover)



L [mm]	325	285	310	345	375	485	575
Power [W]	120	200	300	400	600	800	1000

KTX 4 BLUE s. 694

design: Przemysław Jan Majchrzak

Functions and features:

Functionality

The heating element can be fully controlled through the BLUE-Line control mobile application. The mobile application allows you to control both the temperature of the radiator (30-60° C) and the room temperature (15-30° C); program any number of 7-day schedules; program advanced timer. The buttons on the controller's housing allow you to set the operating temperature in a simplified way or run a simplified Timer (up to 4 hours). The device displays the currently set temperature level and indicates the status of the heating cycle or standby mode. The KTX 4 is designed to use with the TS 1 heating element. The unique feature of the KTX range of heating elements is the Terma-Split System. The Terma-Split connector makes it possible to disconnect the TS 1 from the controller head. More information on the TS 1 can be found on page 726. The KTX 4 is also equipped with actual heating time counter for energy consumption calculations.

Remote Control

Any portable device, smartphone or tablet, with Bluetooth® can be used for remote control. BLUE-Line control mobile application for Android and iOS is available via Google Play® or Apple Store®. With one mobile device, it is possible to program and control any number of BLUE devices (radiator and heating elements) within range of the mobile device.

Intelligent Building Systems

In case of power loss the KTX4 remembers its settings making it suitable for connection with external timers and intelligent building systems*.

Safety

The KTX 4 is equipped with a 'frost' protection (ANTIFREEZE). It also has double protection against the element overheating as well as a safety feature that prevents damage in case of operation in a dry radiator. A device error or malfunction is identified by a display of error codes.

Design

Equipped with an easy to read single digit LED display in blue.

Colour

Available colours: white, silver, chrome and black. Fascia always comes in silver regardless of the housing colour. The heating element can also be offered in any RAL colour and Terma special colours (including brass and gold) subject to a minimum order of 100 pcs per colour.

Specifications:

Power supply:	230 V / 50 Hz
Heating element:	Terma Split I
Device protection class:	Class I
Radiator connection:	G 1/2"
Ingress protection [IP]:	IPx5

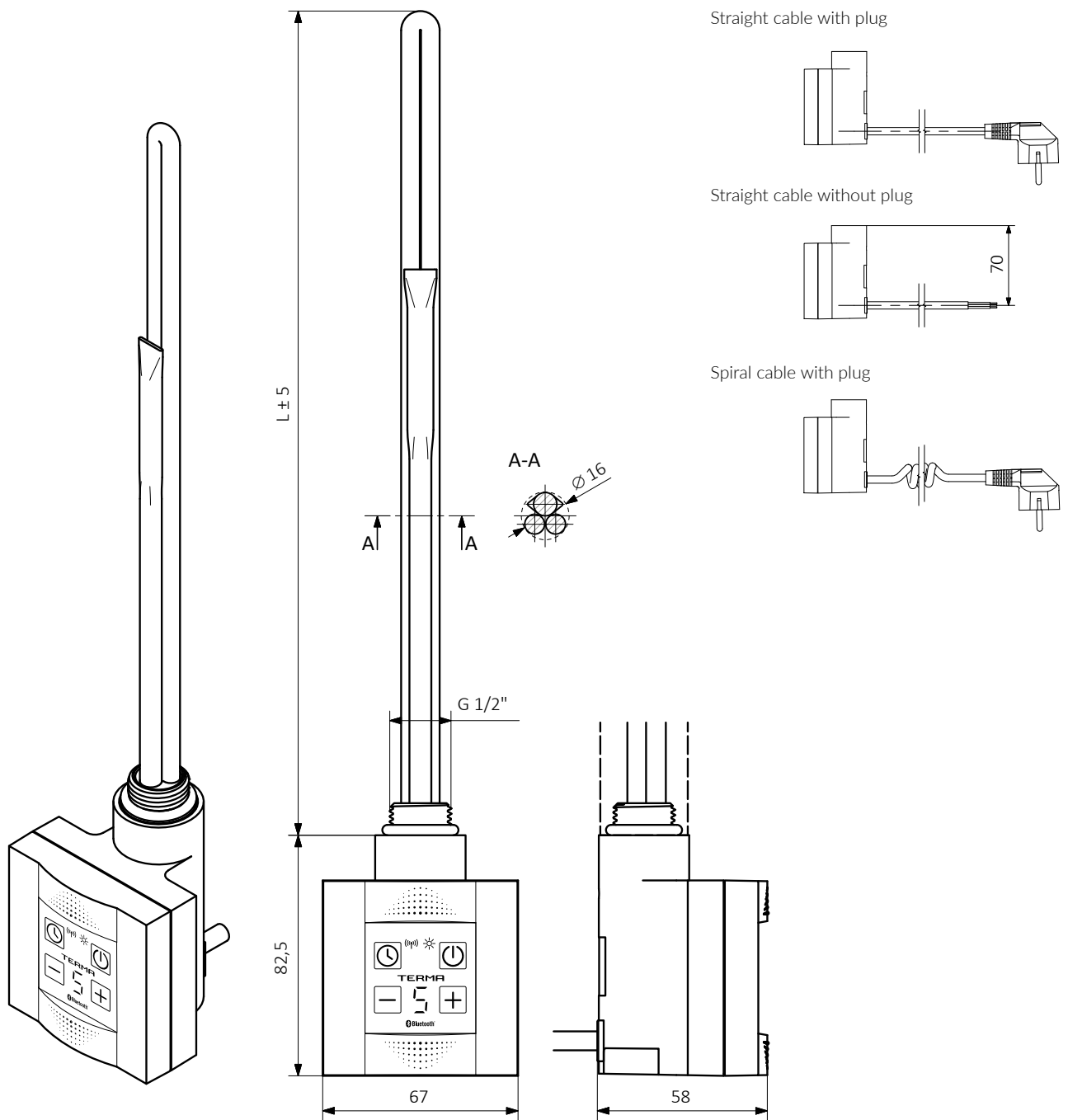
Configurations table:

Example of product code: **WE**K4B**T**CROW



Code elements highlighted in blue.

Model	Power [W]	Packaging	Colour	Cable Type
WE K4B KTX 4	- without the heating element	K Box	916 White SMA Silver CRO Chrome 905 Black	W Straight cable with plug P Straight cable without plug U Spiral cable with plug



L [mm]	325	285	310	345	375	485	575
Power [W]	120	200	300	400	600	800	1000

Functions and features:

Functionality

The KTX 3 offers adjustable temperature levels ranging from 30°C to 60°C in steps of 1°C. An electronic temperature sensor guarantees precise temperature control. The device displays the current set temperature level and indicates the status of the heating cycle or standby state. It also has an easy interface for controller programming. The KTX 3 is designed for use with the TS 1 heating element. The unique feature of the KTX range of heating elements is the Terma-Split System. The Terma-Split connector makes it possible to disconnect the TS 1 from the controller head. More information on the TS 1 can be found on page 726.

Daily Timer

A 24-hour timer allows you to program up to 4 intervals for heating at a preselected temperature or to switch between heating and power off states.

Dryer Function

A function that allows a controlled temperature and drying time, after which the heater will return back to its previous state.

Intelligent Building Systems

In the event of a power failure, the heating element remembers the previous setting (last setting used), which is useful when the device is controlled by external timers and intelligent building systems.

Safety

The KTX 3 is equipped with a 'frost' protection (ANTIFREEZE). It also has double protection against the heating element overheating. A device error or malfunction is identified by a display of error codes. The KTX 3 also has an additional safety feature that prevents it from working in a dry radiator.

Design

Equipped with an easy to read LCD display with a clock. A version without a cable (a terminal block under a masking cover with an on/off switch) is also available.

Colour

Available colours: white, silver, chrome and black. The heating element can also be offered in any RAL colour and Terma special colours (including brass and gold) subject to a minimum order of 100 pcs per colour.

Specifications:

Power supply:	230 V / 50 Hz
Heating element:	Terma Split I
Device protection class:	Class I
Radiator connection:	G 1/2"
Ingress protection [IP]:	IPx4: MS version (with terminal block); IPx5: Version with cable

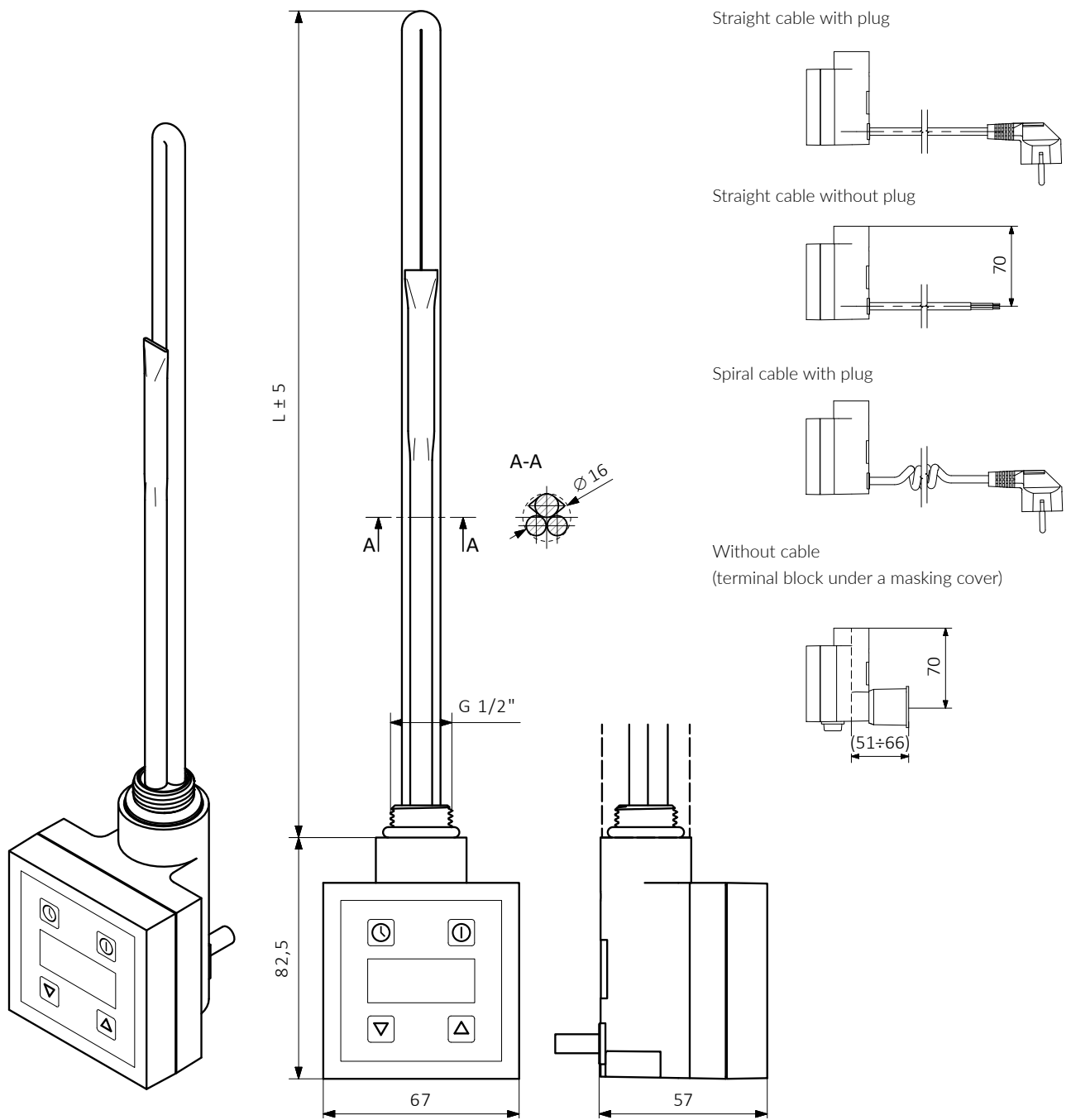
Configurations table:

Example of product code: **WE**K3B T SMA W



Code elements highlighted in blue.

Model	Power [W]	Packaging	Colour	Cable Type
WE KTX 3	- without the heating element	K Box	916 White	W Straight cable with plug
			SMA Silver	P Straight cable without plug
			CRO Chrome	U Spiral cable with plug
			905 Black	S Without cable (terminal block under a masking cover)



L [mm]	325	285	310	345	375	485	575
Power [W]	120	200	300	400	600	800	1000

Functions and features:

Functionality

This KTX 2 has a five step temperature control which ranges from 30°C to 60°C. An electronic temperature sensor ensures precise temperature control. The device displays its current temperature setting. The KTX 2 is designed for use with the TS 1 heating element. The unique feature of the KTX range of heating elements is the Terma-Split System. The Terma-Split connector makes it possible to disconnect the TS 1 from the controller head. More information on the TS 1 can be found on page 726.

Timer

The KTX 2 heating element has a 2-hour timer with two working modes. One mode is used while the KTX 2 is active and heating. In this

mode the KTX 2 will maintain the previously set temperature and then switch itself off after 2 hours. The second mode can be used to turn the KTX 2 on (when previously off) for a period of 2 hours, following these 2 hours the KTX 2 will turn off.

Intelligent Building Systems

The KTX 2 remembers its previous settings even when the power supply is lost. It is therefore suitable to be used with external timers or intelligent building systems.

Safety

The KTX 2 is equipped with 'frost' protection (ANTIFREEZE). It has a double protection against overheating of the radiator and displays a warning in case of malfunction.

Design

The KTX 2 heating element has an easy to use interface. A version without a cable (a terminal block under a masking cover with an on/off switch) is also available.

Colour

Available colours: white, silver, chrome and black. The heating element can also be offered in any RAL colour and Terma special colours (including brass and gold) subject to a minimum order of 100 pcs per colour.

Specifications:

Power supply:	230 V / 50 Hz
Heating element:	Terma Split I
Device protection class:	Class I
Radiator connection:	G 1/2"
Ingress protection [IP]:	IPx4: MS version (with terminal block); IPx5: Version with cable

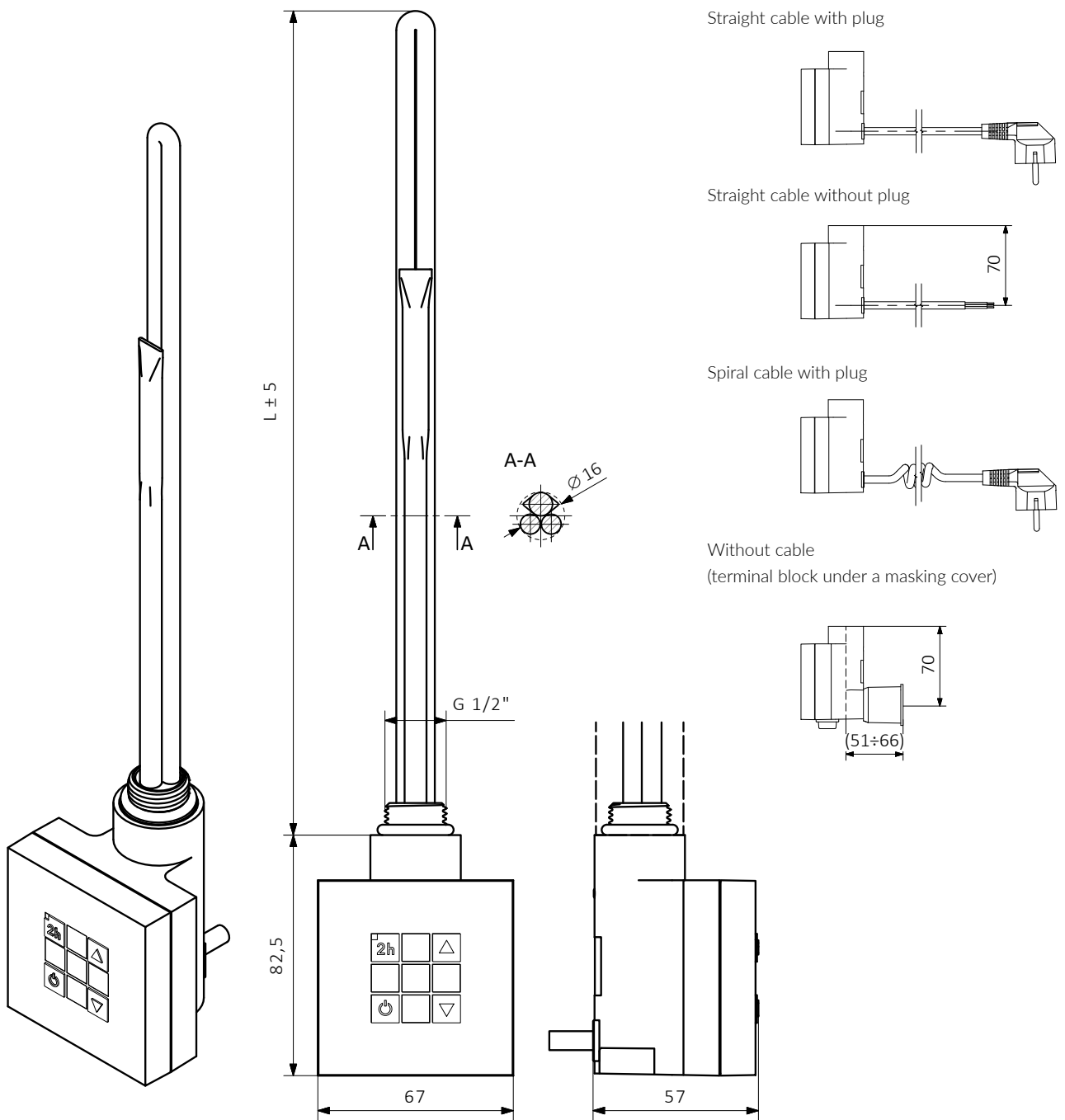
Configurations table:

Example of product code: **WE**KT2TSMAW



Code elements highlighted in blue.

Model	Power [W]	Packaging	Colour	Cable Type
WE KT2 KTX 2	- without the heating element	K Box	916 White	W Straight cable with plug
			SMA Silver	P Straight cable without plug
			CRO Chrome	U Spiral cable with plug
			905 Black	S Without cable (terminal block under a masking cover)



L [mm]	325	285	310	345	375	485	575
Power [W]	120	200	300	400	600	800	1000

Functions and features:

Functionality

The KTX 1 has two settings: 50% and 100% of the nominal power. It is designed for use with the TS 1 heating element. The unique feature of the KTX range of heating elements is the Terma-Split System. The Terma-Split connector makes it possible to disconnect the TS 1 from the controller head. More information on the TS 1 can be found on page 726.

Intelligent Building Systems

In the event of a power failure the heater remembers its setting (last setting used), which is useful when the device is controlled by external timers and intelligent building systems.

Safety

The KTX 1 is equipped with 'frost' protection (ANTIFREEZE). It has a double protection against overheating of the radiator. The heating element displays warning indicators in case of malfunction.

Design

The KTX 1 has large, ergonomic buttons. A version without a cable (a terminal block under a masking cover with an on/off switch) is also available.

Colour

Available colours: white, silver, chrome and black. The heating element can also be offered in any RAL colour and Terma special colours (including brass and gold) subject to a minimum order of 100 pcs per colour.

Specifications:

Power supply:	230 V / 50 Hz
Heating element:	Terma Split I
Device protection class:	Class I
Radiator connection:	G 1/2"
Ingress protection [IP]:	IPx4

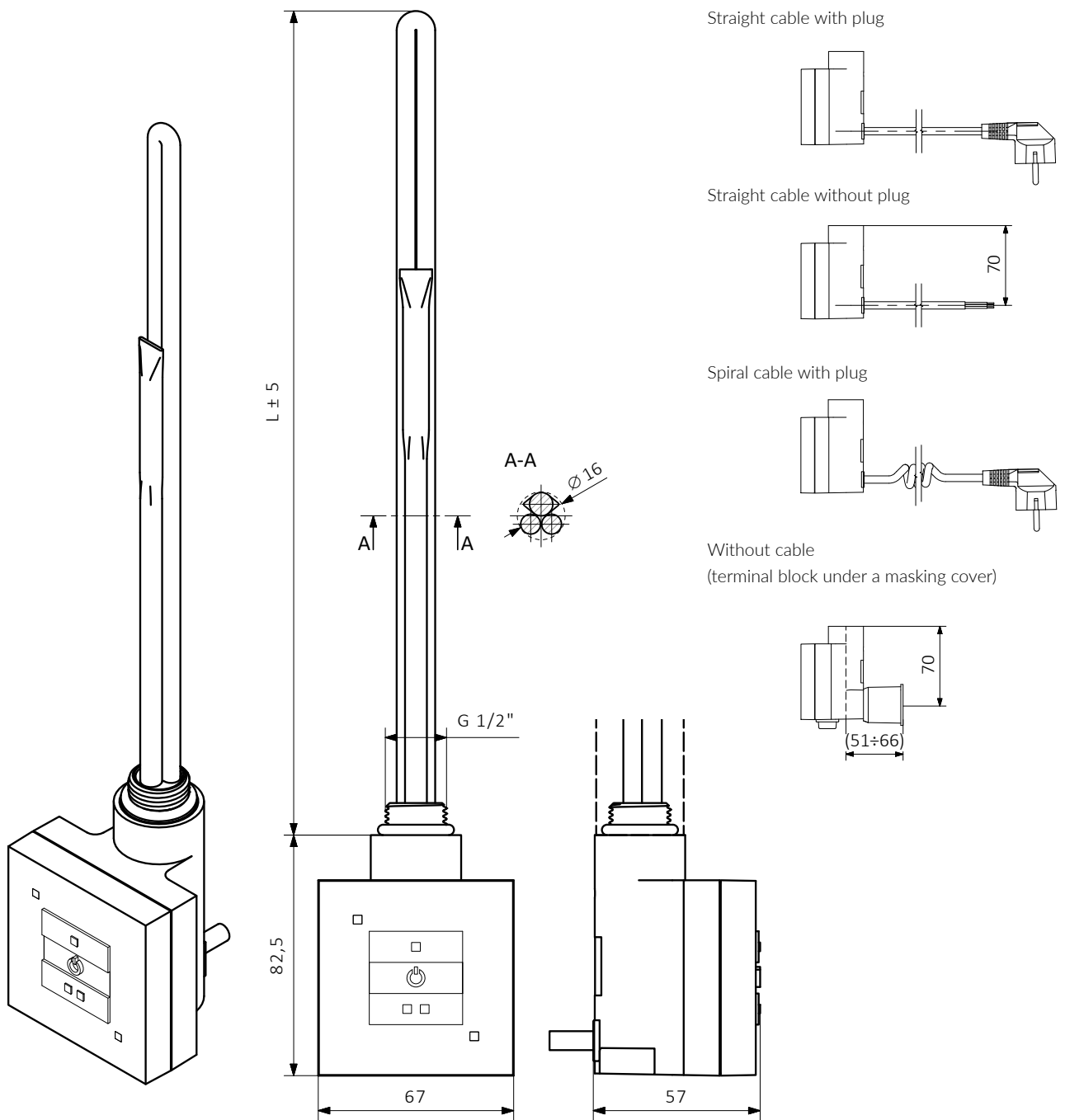
Configurations table:

Example of product code: **WE**KT1T**SMA**W



Code elements highlighted in blue.

Model	Power [W]	Packaging	Colour	Cable Type
WE KT1 KTX 1	- without the heating element	K Box	916 White	W Straight cable with plug
			SMA Silver	P Straight cable without plug
			CRO Chrome	U Spiral cable with plug
			905 Black	S Without cable (terminal block under a masking cover)



L [mm]	325	285	310	345	375	485	575
Power [W]	120	200	300	400	600	800	1000

Functions and features:

Functionality

The MOA offers 5 temperature settings ranging from 30°C to 60°C. It is equipped with an electronic temperature sensor that guarantees precise temperature control. The MOA displays the currently set temperature level and the status of the heating cycle using an LED indicator. The heating element has a very low power consumption in a standby mode.

Dryer Function

This function allows the setting of a higher heating power for two hours, after which the device returns to the previous state.

Intelligent Building Systems

In the event of a power failure the MOA remembers its previous settings therefore making it suitable for connection to external timers and intelligent building systems.

Safety

The MOA is equipped with 'frost' protection (ANTIFREEZE). It also has a double protection against overheating of the radiator and displays a warning in case of malfunction. It has an active safety feature in case of operation in a dry radiator.

Design

The MOA version with a straight cable without a plug, is also available with a cable-masking cover option.

Colour


Available colours: white, silver, chrome and black. The heating element can also be offered in any RAL colour and Terma special colours (including brass and gold) subject to a minimum order of 100 pcs per colour.

Specifications:

- Power supply: 230 V / 50 Hz
- Device protection class: Class I
- Radiator connection: G 1/2"
- Ingress protection [IP]: IPx5

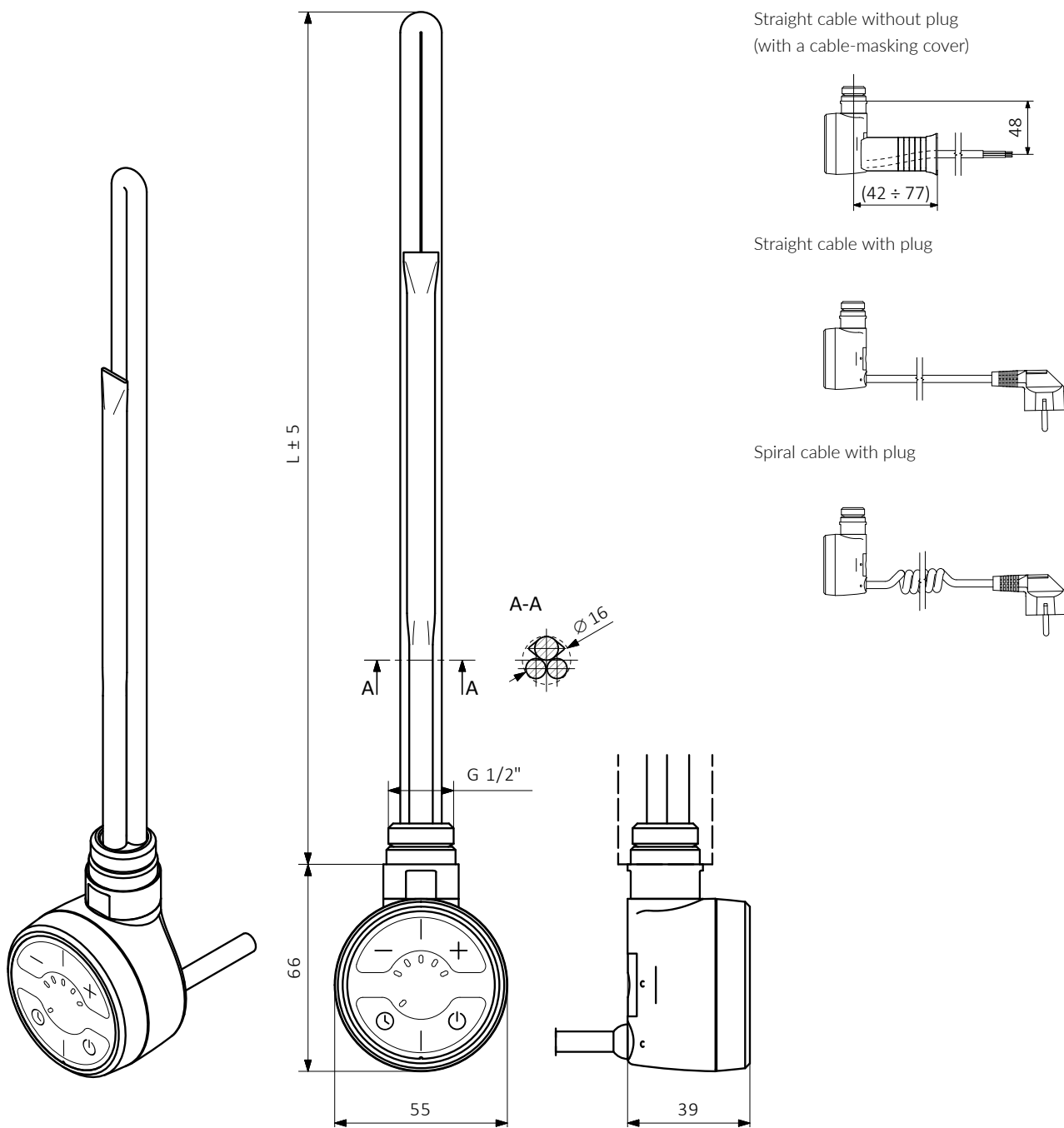
Configurations table:

Example of product code: **WE**MAT04T**SMA**W



Code elements highlighted in blue.

Model	Power [W]	Packaging	Colour	Cable Type
WE MOA MOA	01 120	F Plain foil	916 White	W Straight cable with plug
MAT MOA + T-piece	02 200	T Tube	SMA Silver	M Straight cable without plug (with a cable-masking cover)
	03 300		CRO Chrome	U Spiral cable with plug
	04 400		905 Black	
	06 600			
	08 800			
	10 1000			
	12 1200			



L [mm]	315	275	300	335	365	475	565	660
Power [W]	120	200	300	400	600	800	1000	1200

Functions and features:

Functionality

MOA offers 5 temperature settings ranging from 30°C to 60°C. It is equipped with an electronic temperature sensor that guarantees precise temperature control. MOA displays the currently set temperature level and the status of the heating cycle using illuminated diodes. The heating element has a very low power consumption in a standby mode.

Dryer Function

This function allows the setting of a higher heating power for two hours, after which the device returns to the previous state.

Remote Control

The heating element is capable of wireless IR communication with an external wall controller DTIR or TTIR, which enhances the use of

the heating element with additional features. Information on the TTIR and DTIR IR controllers can be found on pages 758 and 760.

Intelligent Building Systems

In the event of a power failure the MOA remembers its previous settings therefore making it suitable for connection to external timers and intelligent building systems.

Safety

MOA is equipped with frost protection (ANTI-FREEZE). It has a double protection against overheating of the radiator and an active safety feature in case of operation in a dry radiator. It displays warning indications in case of malfunction.

Design

MOA version with a straight cable and without a plug, is also available with an optional cable masking cover.

Colour

Available housing colours: white, silver, chrome and black. The front fascia always in black colour. Heating element can also be offered in any RAL colour and Terma special colours (including brass and gold) subject to a minimum order of 100 pcs per colour.

Specifications:

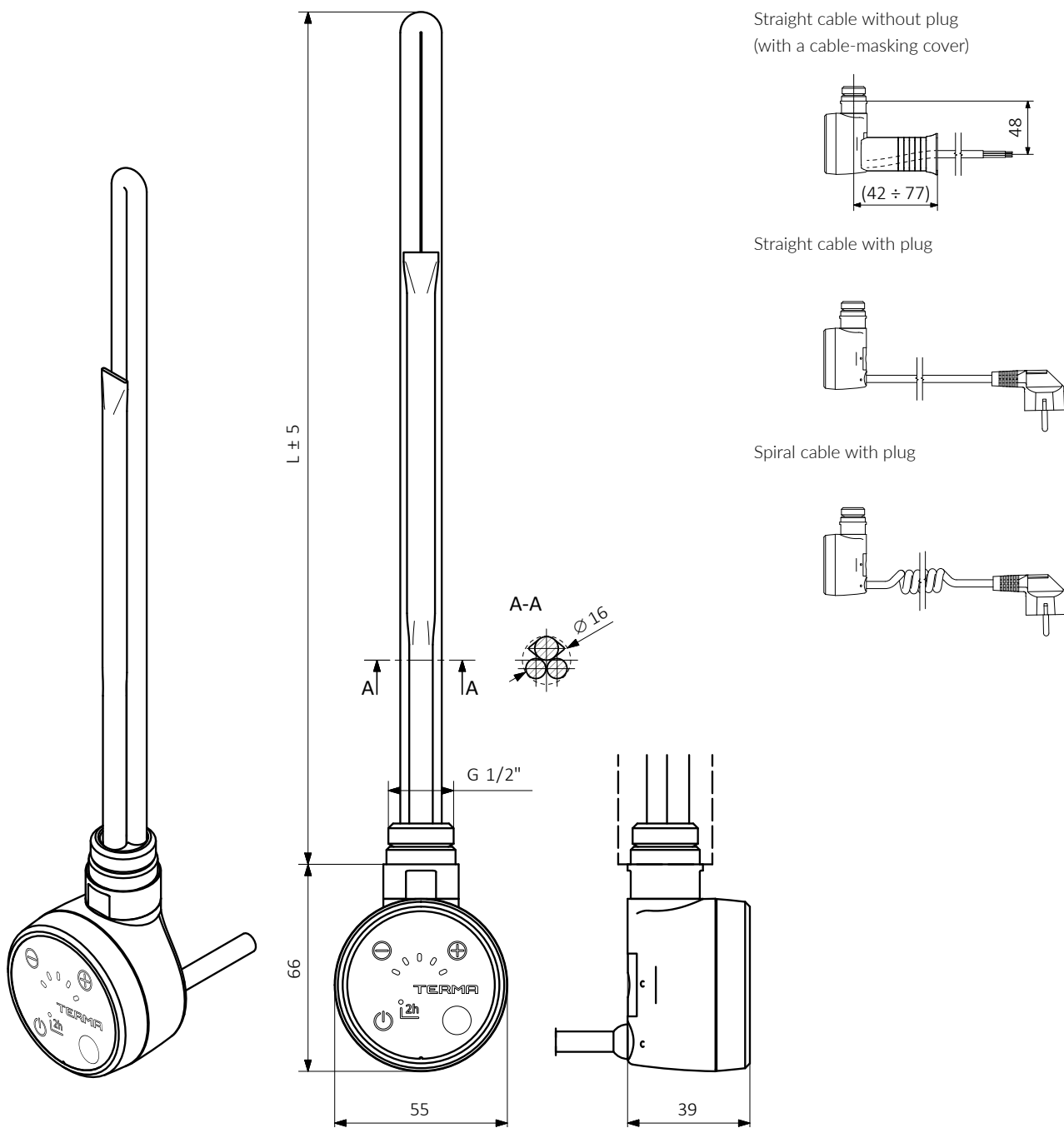
- Power supply: 230 V / 50 Hz
- Device protection class: Class I
- Radiator connection: G 1/2"
- Ingress protection [IP]: IPx5

Configurations table:

Example of product code: **WE**^{Element power code} **MOR**^{Model code} **04**^{Power} **T**^{Packaging code} **SMA**^{Colour or finish code} **W**^{Cable type and plug code}

Code elements highlighted in blue.

Model	Power [W]	Packaging	Colour	Cable Type
WE MOR MOA IR	01 120	F Plain foil	916 White	M Straight cable without plug (with a cable-masking cover)
MRT MOA IR + T-piece	02 200	T Tube	SMA Silver	W Straight cable with plug
	03 300		CRO Chrome	U Spiral cable with plug
	04 400		905 Black	
	06 600			
	08 800			
	10 1000			
	12 1200			



L [mm]	315	275	300	335	365	475	565	660
Power [W]	120	200	300	400	600	800	1000	1200

Functions and features:

Functionality

The BLUE-Line control app offers full control and functionality of the heating element. It allows you to control both the internal temperature of the radiator (30-60°C) or the ambient room temperature (15-30°C). In addition it offers full 7 day timer functionality, where you can program any number of heating schedules throughout each day as required. Buttons on the control head of the element allow the user to set the temperature in a simplified way or run 2 Hour Drying Function. The app shows the selected temperature level and the element indicates the operation mode in use such as timer, weekly schedule mode or Bluetooth communication with the device control.

Remote Control

You can use any portable device such as a Bluetooth® enabled smartphone or a tablet to control the heating element remotely. The BLUE-Line control app for Android and iOS is available at their respective online stores. One application can program and control any number of BLUE series devices (heating elements and radiators) within reach of the mobile device.

Safety

MOA is equipped with frost protection (ANTI-FREEZE). It also has double protection against overheating of the radiator. It displays warning indicators in case of malfunction.

Design

Blue LEDs signify the current operating temperature and an RGB LED signals current mode of operation.

Colour


Available in: white, silver, chrome and black. The front fascia always in Silver colour. Heating element can also be offered in any RAL colour and Terma special colours (including brass and gold) subject to a minimum order of 100 pcs per colour.

Specifications:

- Power supply: 230 V / 50 Hz
- Device protection class: Class I
- Radiator connection: G 1/2"
- Ingress protection [IP]: IPx5

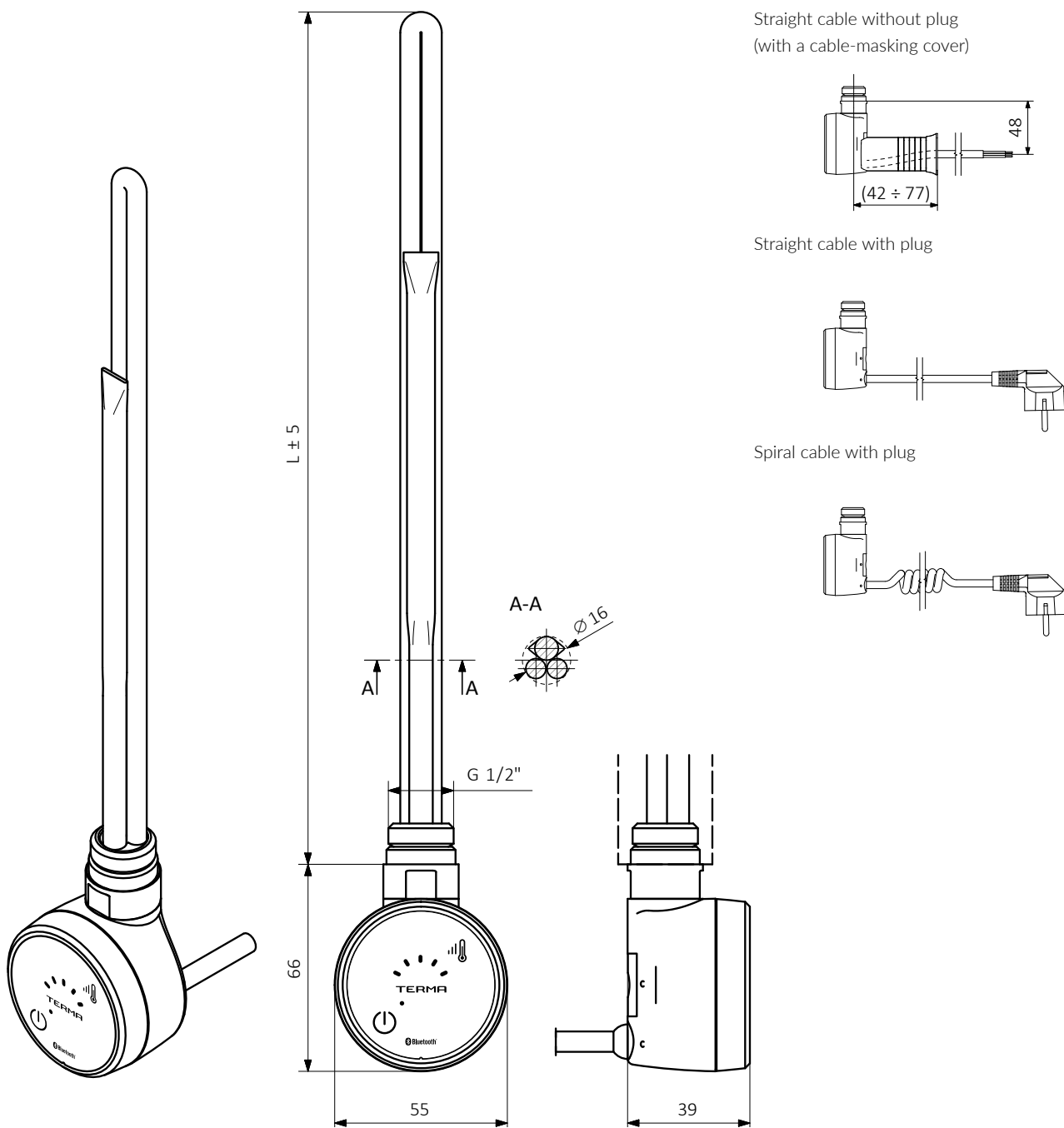
Configurations table:

Example of product code: **WE** **MOB** **04** **T** **SMA** **W**



Code elements highlighted in blue.

Model	Power [W]	Packaging	Colour	Cable Type
WE MOB MOA Blue	01 120	F Plain foil	916 White	M Straight cable without plug (with a cable-masking cover)
MOB MOA Blue +	02 200	T Tube	SMA Silver	W Straight cable with plug
T-piece	03 300		CRO Chrome	U Spiral cable with plug
	04 400		905 Black	
	06 600			
	08 800			
	10 1000			
	12 1200			



L [mm]	315	275	300	335	365	475	565	660
Power [W]	120	200	300	400	600	800	1000	1200

Functions and features:

Functionality

Thanks to an electronic sensor the DRY heating element maintains a constant temperature of 48°C. It also has the ability to be programmed further to different temperature levels. The heating element has a very low power consumption in a standby mode.

Timer

An enhanced timer automatically turns the heating element off after 1, 2, 3, 4 or 5 hours.

Intelligent Building Systems

In the event of a power failure the DRY remembers its previous settings therefore making it suitable for connection to external timers and intelligent building systems.

Safety

In the event of a power failure the DRY remembers its previous settings therefore making it suitable for connection to external timers and intelligent building systems.

Design

The heating element is equipped with 'frost' protection (ANTIFREEZE). It has a double protection against overheating of the radiator. The DRY displays a warning in case of malfunction. It has an active safety feature in case of operation in a dry radiator.

Colour

Available housing colours: white, silver, chrome and black. The front fascia always in black colour. The DRY can also be offered in any RAL colour and Terma special colours (including brass and gold) subject to a minimum order of 100 pcs per colour.

Specifications:

- Power supply: 230 V / 50 Hz
- Device protection class: Class I
- Radiator connection: G 1/2"
- Ingress protection [IP]: IPx5

Configurations table:

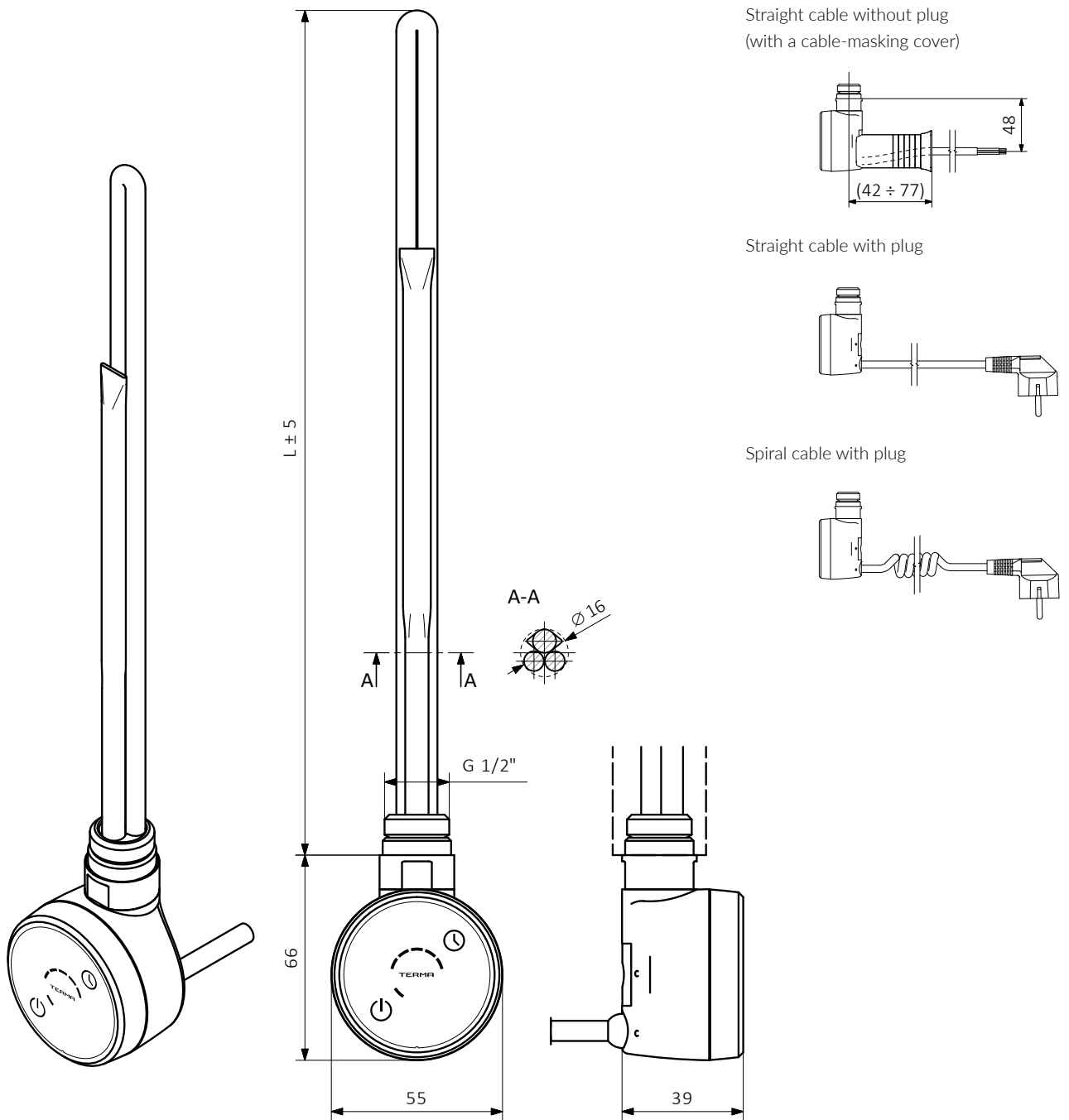
Example of product code: **WE** **DRY** **04** **T** **SMA** **W**

Element power code Colour or finish code Cable type and plug code

Model code Packaging code

Code elements highlighted in blue.

Model	Power [W]	Packaging	Colour	Cable Type
WE DRY DRY	01 120	F Plain foil	916 White	M Straight cable without plug (with a cable-masking cover)
DYT DRY + T-piece	02 200	T Tube	SMA Silver	W Straight cable with plug
	03 300		CRO Chrome	U Spiral cable with plug
	04 400		905 Black	
	06 600			
	08 800			
	10 1000			
	12 1200			



L [mm]	315	275	300	335	365	475	565	660
Power [W]	120	200	300	400	600	800	1000	1200

Functions and features:

Functionality

The TDY offers 3 temperature settings ranging from 40°C to 60°C. It is equipped with an electronic temperature sensor that guarantees precise temperature control. The heating element has a very low power consumption in a standby mode.

Automatic power-off function

Automatic Timer sets the operating time between 60 -180 minutes (default setting is 120 minutes). The clear display shows time left until automatic switch off. NOTE: No continuous operation possible. While the heating element is on, the heating temperature can be adjusted according to one's preference.

Safety

The TDY is equipped with 'frost' protection (ANTIFREEZE). It also has a double protection against overheating of the radiator and displays a warning in case of malfunction. It has an active safety feature in case of operation in a dry radiator.

Design

The TDY is supplied with a straight cable without a plug, it is also available with a cable-masking cover as an optional extra.

Colour


Available colours: white, silver, chrome and black. The heating element can also be offered in any RAL colour and Terma special colours (including brass and gold) subject to a minimum order of 100 pcs per colour.

Specifications:

- Power supply: 230 V / 50 Hz
- Device protection class: Class I
- Radiator connection: G 1/2"
- Ingress protection [IP]: IPx5

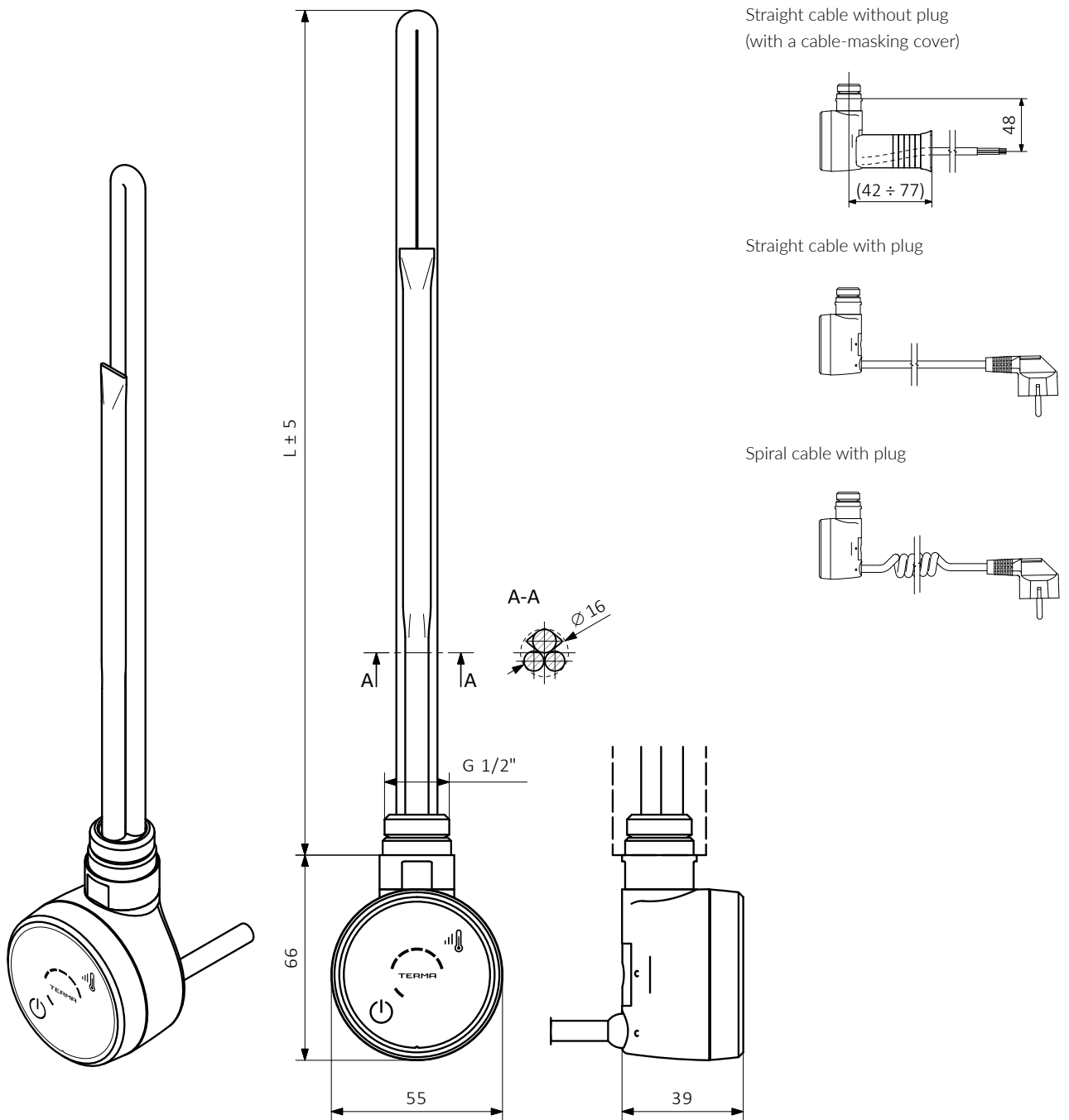
Configurations table:

Example of product code: **WE**TDY04TSMAW



Code elements highlighted in blue.

Model	Power [W]	Packaging	Colour	Cable Type
WE TDY DRY	01 120	F Plain foil	916 White	M Straight cable without plug (with a cable-masking cover)
TYT DRY + T-piece	02 200	T Tube	SMA Silver	W Straight cable with plug
	03 300		CRO Chrome	U Spiral cable with plug
	04 400		905 Black	
	06 600			
	08 800			
	10 1000			
	12 1200			



L [mm]	315	275	300	335	365	475	565	660
Power [W]	120	200	300	400	600	800	1000	1200

Functions and features:

Functionality

The MEG heating element offers 5 temperature settings ranging from 30°C to 60°C. An electronic temperature sensor guarantees precise temperature control. The device displays the currently set temperature level and indicates the status of the heating cycle.

Safety

The MEG heating element is equipped with 'frost' protection (ANTIFREEZE). It has a double protection against overheating of the radiator. The MEG also displays a warning in case of malfunction. It has an active safety feature in case of operation in a dry radiator.

Colour

Available colours: white, silver, chrome and black. The MEG can also be offered in any RAL colour and Terma special colours (including brass and gold) subject to a minimum order of 100 pcs per colour.

Intelligent Building Systems

In the event of a power failure the MEG remembers its previous settings therefore making it suitable for connection to external timers and intelligent building systems.

Design


The MEG heating element is supplied with a straight cable without a plug. It is available with a cable-masking cover as an optional extra.

Specifications:

- Power supply: 230 V / 50 Hz
- Device protection class: Class I
- Radiator connection: G 1/2"
- Ingress protection [IP]: IPx4

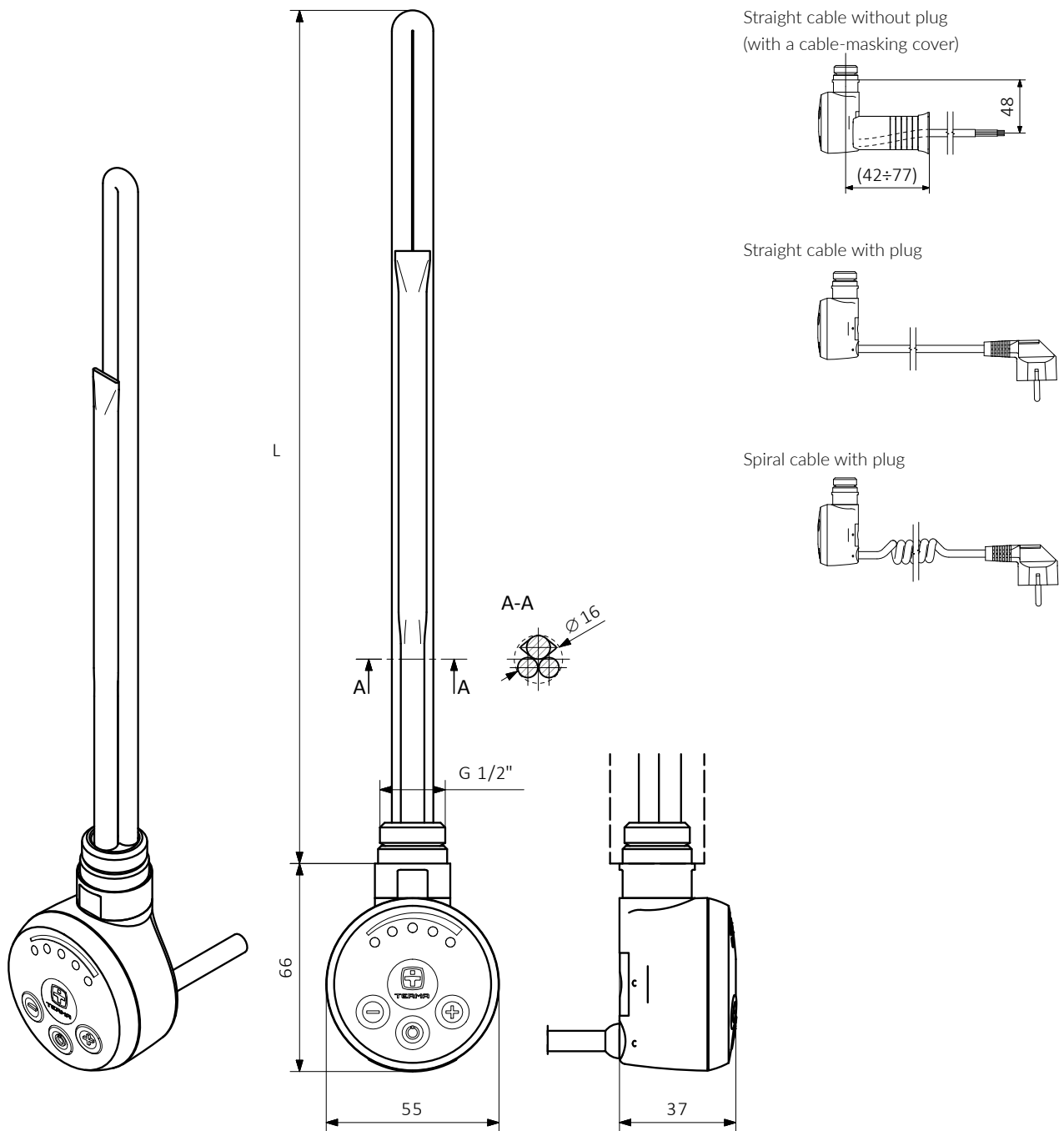
Configurations table:

Example of product code: **WE**MEG:04 T SMA W



Code elements highlighted in blue.

Model	Power [W]	Packaging	Colour	Cable Type
WE MEG MEG	01 120	F Plain foil	916 White	M Straight cable without plug (with a cable-masking cover)
MGT MEG + T-piece	02 200	T Tube	SMA Silver	W Straight cable with plug
	03 300		CRO Chrome	U Spiral cable with plug
	04 400		905 Black	
	06 600			
	08 800			
	10 1000			
	12 1200			



L [mm]	315	275	300	335	365	475	565	660
Power [W]	120	200	300	400	600	800	1000	1200

Functions and features:

Functionality

The REG 3 offers two temperature settings of 50°C and 65°C. It is equipped with a bi-metallic temperature sensor. The device displays currently set temperature level.

Intelligent Building Systems

The REG 3 is suitable for connection to external timers and intelligent building systems.

Safety

The REG 3 is equipped with a double protection against overheating of the radiator.

Design

The REG 3 has small controller housing in a universal shape reminiscent of a drop of water. It is controlled via a rotating ring-shaped switch that turns the heating element on and off and allows the selection of temperature settings.

Colour


Available colours: white with grey ring, silver with grey ring, silver with chrome ring, black with chrome ring. The heating element can also be offered in any RAL colour and Terma special colours (including brass and gold) subject to a minimum order of 100 pcs per colour.

Specifications:

- Power supply: 230 V AC
- Device protection class: Class I
- Radiator connection: G 1/2"
- Ingress protection [IP]: IPx5

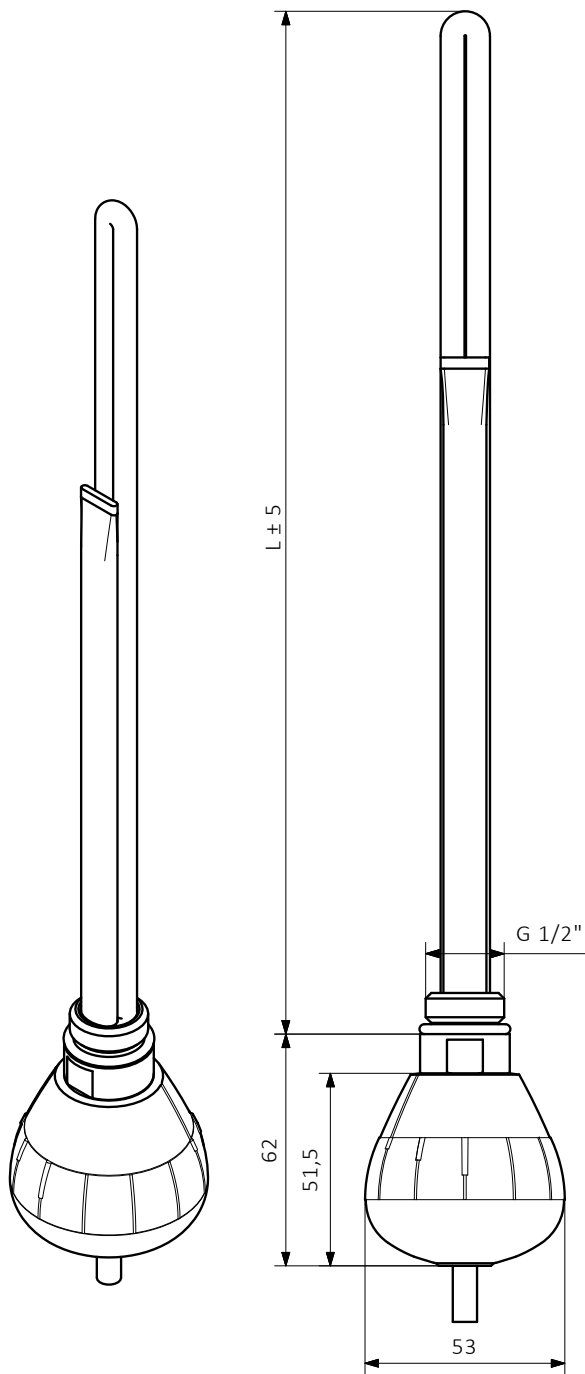
Configurations table:

Example of product code: **WE**R3G04TSMAW

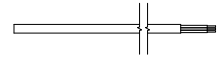


Code elements highlighted in blue.

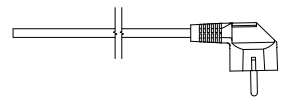
Model	Power [W]	Packaging	Colour	Cable Type
WE R3G REG 3	01 120	F Plain foil	916 White with grey ring	M Straight cable without plug
R3T REG 3+ T-piece	02 200	T Tube	SMA Silver with grey ring	W Straight cable with plug
	03 300		CRO Silver with chrome ring	U Spiral cable with plug
	04 400		905 Black with chrome ring	
	06 600			
	08 800			
	10 1000			
	12 1200			



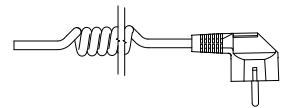
Straight cable without plug



Straight cable with plug



Spiral cable with plug



L [mm]	315	275	300	335	365	475	565	660
Power [W]	120	200	300	400	600	800	1000	1200

Functions and features:

Functionality

The REG 2 maintains a constant temperature of 65°C and is equipped with a bimetallic temperature sensor. A small, spherical controller indicates on/off operation by the display of an LED.

Intelligent Building Systems

The REG 2 is suitable for connection to external timers and intelligent building systems.

Safety

The REG 2 is equipped with a double protection against overheating of the radiator.

Design

The REG 2 is one of the smallest heating elements on the market. Its main objective is simplicity of use. It does not have an on/off switch on its housing so it must be activated externally either by a timer or switched fused spur. A version equipped with a plug with an on/off switch is available.

Colour


Available colours: white, silver, chrome and black. The heating element can also be offered in any RAL colour and Terma special colours (including brass and gold) subject to a minimum order of 100 pcs per colour.

Specifications:

- Power supply: 230 V AC
- Device protection class: Class I
- Radiator connection: G 1/2"
- Ingress protection [IP]: IPx5

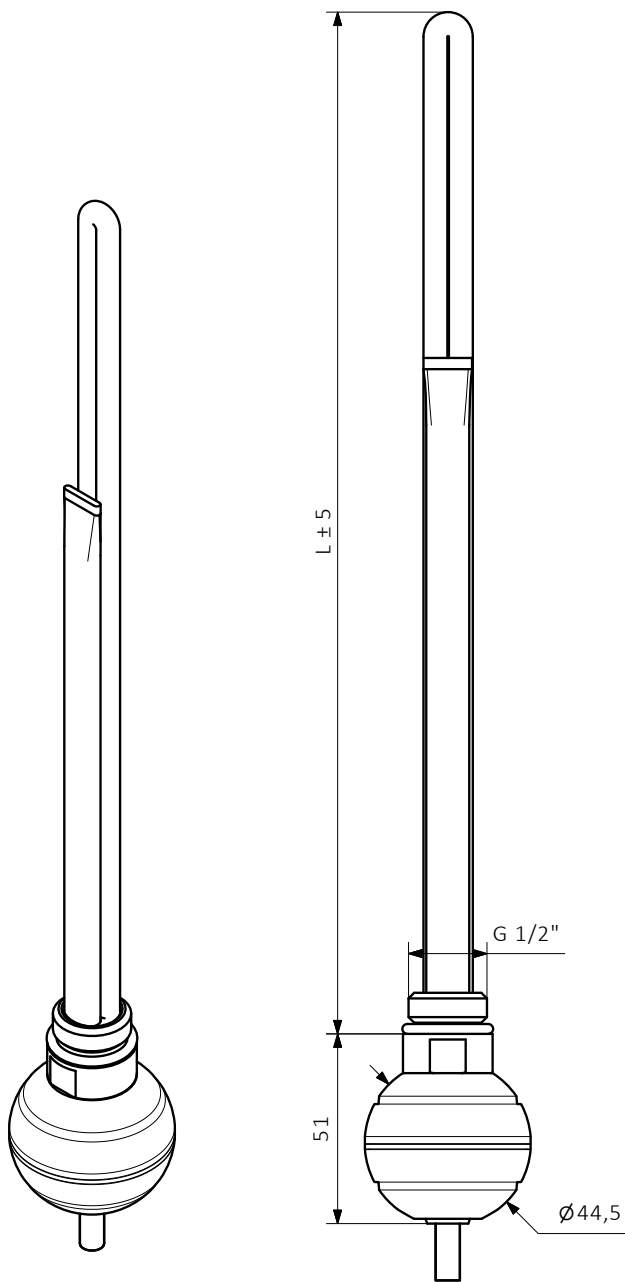
Configurations table:

Example of product code: **WE**R2**G**0**4** **T**S**MA****W**



Code elements highlighted in blue.

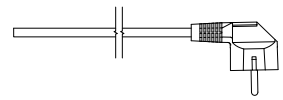
Model	Power [W]	Packaging	Colour	Cable Type
WE R2G REG 2	01 120	F Plain foil	916 White	P Straight cable without plug
R2T REG 2 + T-piece	02 200	T Tube	SMA Silver	W Straight cable with plug
	03 300		CRO Chrome	R Straight cable with plug and switch
	04 400		905 Black	T Spiral cable with plug and switch
	06 600			
	08 800			
	10 1000			
	12 1200			



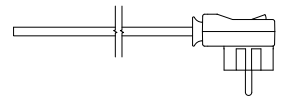
Straight cable without plug



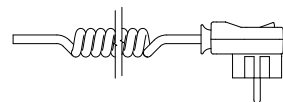
Straight cable with plug



Straight cable with plug and switch



Spiral cable with plug and switch



L [mm]	315	275	300	335	365	475	565	660
Power [W]	120	200	300	400	600	800	1000	1200

Functions and features:

Functionality

The SIM is a basic, simple heating element. The SIM has built-in protection against overheating and is fitted with a bimetal temperature limiter. The device is available in a wide range of power outputs up to 1500 W.

Intelligent Building Systems

The SIM is suitable for connection to external timers and intelligent building systems.

Safety

The SIM has an exceptionally high degree of moisture ingress protection and is fitted with a thermal fuse to prevent overheating of the radiator.

Design

The SIM has a stainless steel housing. It does not have an on/off switch on its housing so it must be controlled externally either by a timer or switched fused spur. A version with a switch located on the plug is available.

Colour

Housing: stainless steel. Available cable colours: white or grey.

Specifications:

- Power supply: 230 V AC
- Device protection class: Class I
- Radiator connection: G 1/2"
- Ingress protection [IP]: IP67

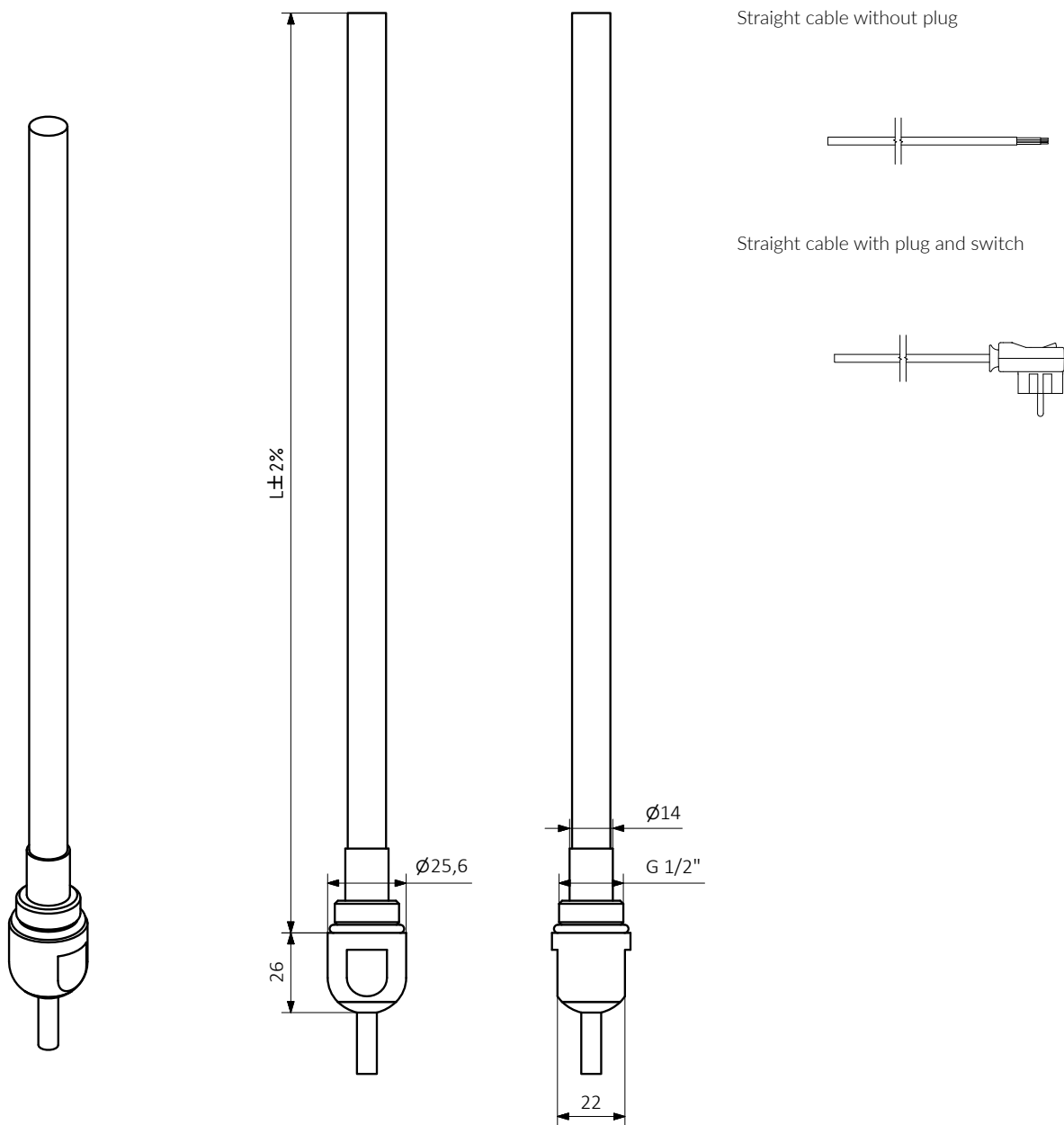
Configurations table:

Example of product code: **WE** **SIM** **04** **T** **INX** **W**



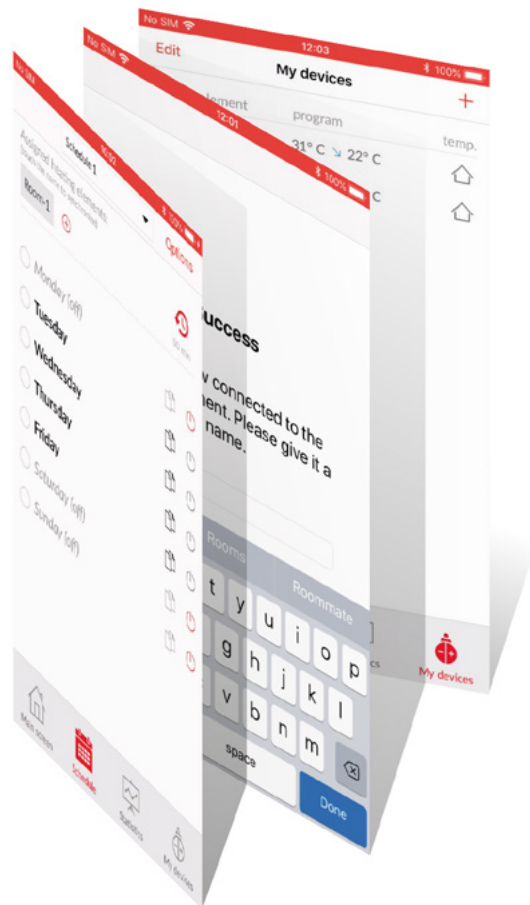
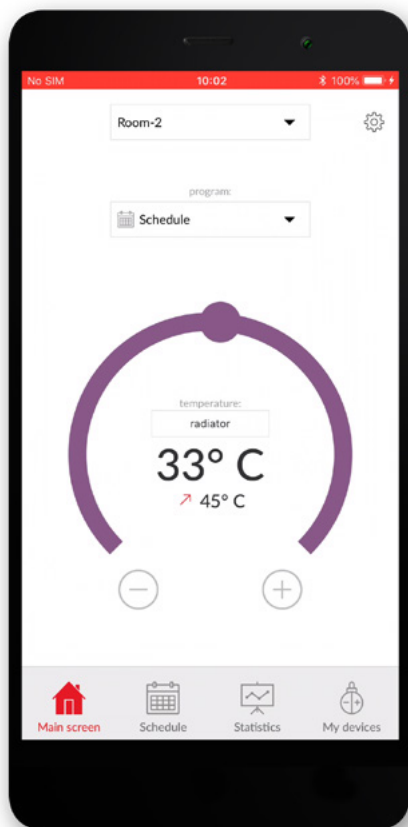
Code elements highlighted in blue.

Model	Power [W]	Packaging	Colour / Cable colour	Cable Type
WE SIM SIM	01 120	F Plain foil	INX Stainless steel / white cable	R Straight cable with plug and switch
	02 200		ING Stainless steel / grey cable	P Straight cable without plug
	03 300			
	04 400			
	06 600			
	08 800			
	10 1000			
	12 1200			
	15 1500			



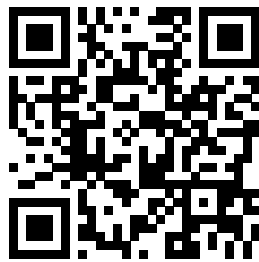
L [mm]	315	285	310	345	375	485	575	750	950
Power [W]	120	200	300	400	600	800	1000	1200	1500

Terma BlueLine mobile application



Functions and features:

- Designed based on Bluetooth® Low Energy technology
- Allows to intuitively add and manage Terma BlueLINE devices
- Available for mobile devices with operating systems Android 4.0 (or newer) and iOS 6 (or newer)
- Manages several devices simultaneously
- Intuitively solves conflicts in case a few users control the devices
- Allows to prepare individual heating cycles (also off-line) and activate them at any time
- Integrates all the properties of the device



TTIR1



Functions and features:

Functionality

The TTIR is a weekly portable or wallmounted programmable controller. It allows you to adjust the temperature through a range from 10°C to 30°C in steps of 0.5°C. It displays both the current time and temperature as well as the set temperature. The TTIR allows you to set an economical and a comfortable temperature level controlled in two modes, manual and automatic. You are able to manually calibrate the temperature sensor of the TTIR if required.

Timer and Dryer

The weekly timer function allows you to program your desired 'heating time profiles' in certain modes throughout the 7 days of the week (with an interval of 0,5 h). There is also a dryer function that allows a timed operation from 15 minutes up to 4 hours.

Remote Control

The TTIR works wirelessly with a range of Terma heating elements and controllers that are equipped with an IR receiver (ONE, MOA IR and KTX 4). The TTIR can control multiple heating elements in one room.

Supply

The TTIR is a battery powered device and does not require an external power supply.

Safety

The TTIR is equipped with a 'frost' protection mode (ANTIFREEZE) to protect the radiator from the effects of freezing.

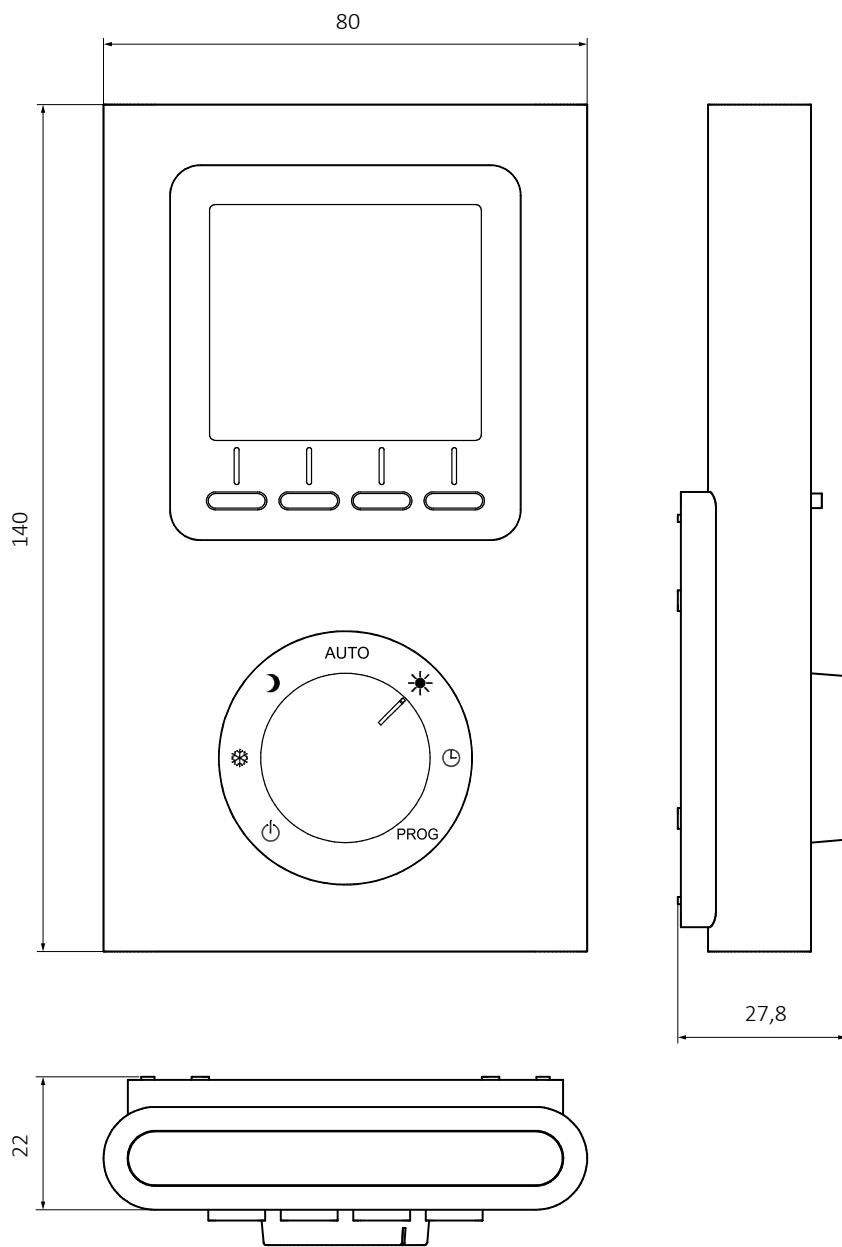
Design

An elegant white body gives the TTIR a modern look and provides the perfect backdrop for an elegant amber display.

Colour

An elegant white body gives the TTIR a modern look and provides the perfect backdrop for an elegant amber display.

Power supply	Communication module	Casing ingress protection	Colour	Product code
2 x LR03 (AAA)	IR	IP 30	White	TGRTBI001



DTIR1



Functions and features:

Functionality

The DTIR is a daily portable or wallmounted programmable controller. It allows precise adjustments in room temperature in increments of 0.5°C. The DTIR displays both the set and the room temperature and works with a number of different modes, manual, automatic, dryer and antifreeze. It can also be programmed in two temperature zones, economic and comfortable and the user has the ability, if required to calibrate the electronic temperature sensor.

Timer und Trockner

The daily timer allows you to program the device (turning on and off) in 15 minute intervals within a 24 hr period. During these timed in-

tervals the DTIR can work in either economic or comfort modes. The dryer function operates from 15 minutes up to 4 hours. After the timed period of drying the DTIR will return to its previously set function relevant to the time of day.

Remote Control

The programmer works wirelessly with a range of Terma heating elements and controllers that are equipped with an IR receiver (ONE, MOA IR and KTX 4). The DTIR can control multiple heating elements in one room.

Intelligent Building Systems

The DTIR is battery powered and does not require an external power supply.

Safety

The DTIR is equipped with a 'frost' protection mode (ANTIFREEZE) to protect the radiator from the effects of freezing.

Design

The DTIR is of simple and minimalist design, it is light and easy to use with a clear blue display.

Colour

Available housing colours: white and silver. Blue display.

Power supply	Communication module	Casing ingress protection	Colour	Product code
2 x LR03 (AAA)	IR	IP 30	White	TGRDBI001
2 x LR03 (AAA)	IR	IP 30	Silver	TGRDSI001

